

CINEMA  **TECH™**

WINTER 2008



Le Grande

RECLINER

WWW.MYCINEMATECH.COM



Standard Options

- Silver Cup Holders
- Steel Frame
- Standard Seat Back Height
- Pneumatic Mechanism
- Articulating Headrest

Available Options

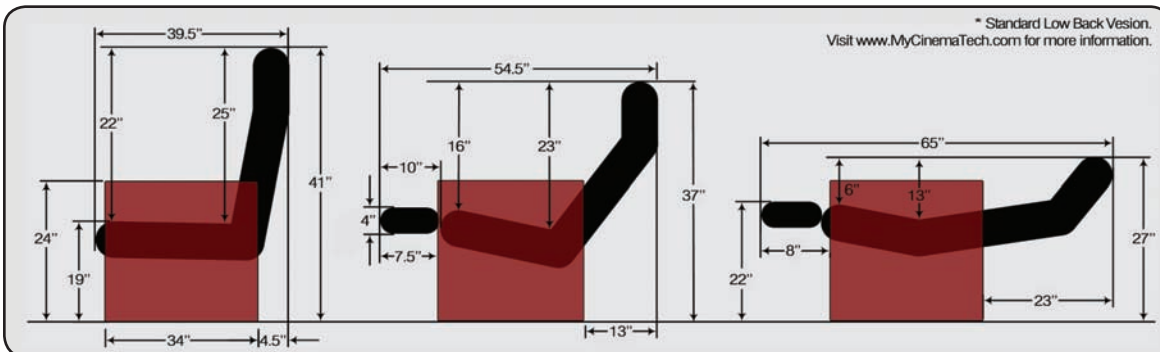
- Motorized Option
- Extended Footrest
- Color Blocking
- Black and Bronze Cup Holders
- High Back Option
- Contrast Piping
- Revolving Glass Table
- Contrast Stitching

Get into this chair and feel like you have slid into the cockpit of a European luxury sports car. Contoured to hug your body, the Le Grande transforms your theater into a speedway of comfort. Experience fully reclined comfort coupled with superb styling in a seat that fits every décor scheme. With options that include decorative piping and oversized high backs, this theater seat is truly Le Grande.



About CinemaTech's Quality - CinemaTech's beauty is not just skin-deep. Inside each Act I recliner is a German engineered steel chassis – just like what you'd find under a fine European sedan accelerating down the Autobahn. With a seating platform that is produced from rolled steel constructed of two offset tiers of sinuous, hand assembled wire springs; you will enjoy a lifetime of responsive support and durability. Other support features include a spring-tensioned webbing support system and a reinforced tubular seat and back suspension frame. Hand-tied springs minimize "reflection" or bounce, while maximizing support and comfort. To ensure proper placement, each coil is hand-tied to the others during the manufacturing process. This assures long-term resilience.

About CinemaTech's Leathers and Fabrics - Only the most luxurious full grain leathers are included in the CinemaTech Collection. Purchasing tens of thousands of individual hides each year provides us with the kind of buying power that allows access to the finest leathers available worldwide. Like a quality diamond, each hand-selected hide has individual characteristics that make it unique and rare. CinemaTech also offers alternative fabric options for our entire line of seating with our Butterfly fabric. CinemaTech's Butterfly Fabric is a special micro fiber that is designed and engineered to resist staining for high quality upholstery and luxury cars. With more than 30 different colors available, CinemaTech' Butterfly Fabric combines perceptible softness with the silk-matt grip of a stylish fabric creation. At the same time CinemaTech's Butterfly fabric is unusually hard-wearing and dirt resistant. make it unique and rare.



SB-35159-1208

S200-01

(800) 688-6680