

ESTRELLA HIGH BACK SOFA
 1-1/2" = 1'-0"

GENERIC
 DETAILS

DRAWN BY: NS

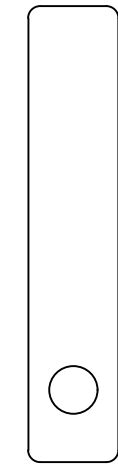
DATE: 08/14/2023

SHEET

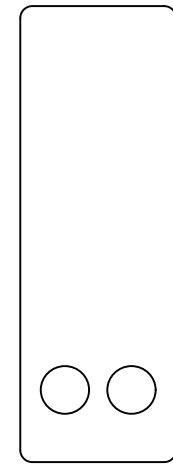
(HA05)
 8" OUTSIDE ARM



(H05)
 7 1/2" INSIDE ARM



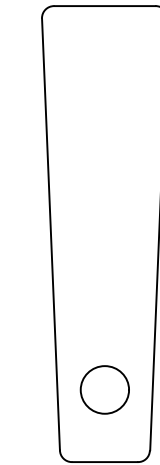
(H052)
 13" INSIDE
 DOUBLE ARM



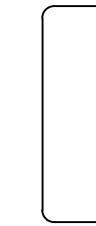
(HF052)
 13" INSIDE
 STORAGE ARM



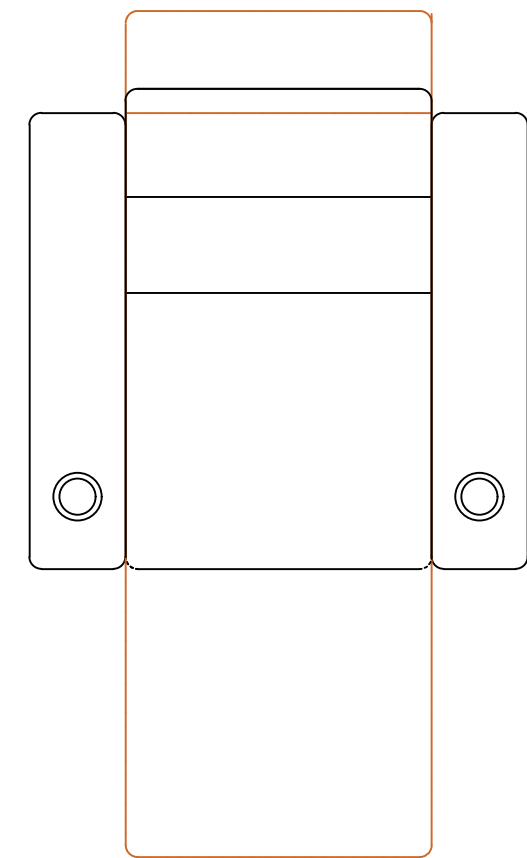
(L009)
 10 1/2" INSIDE
 WEDGE ARM



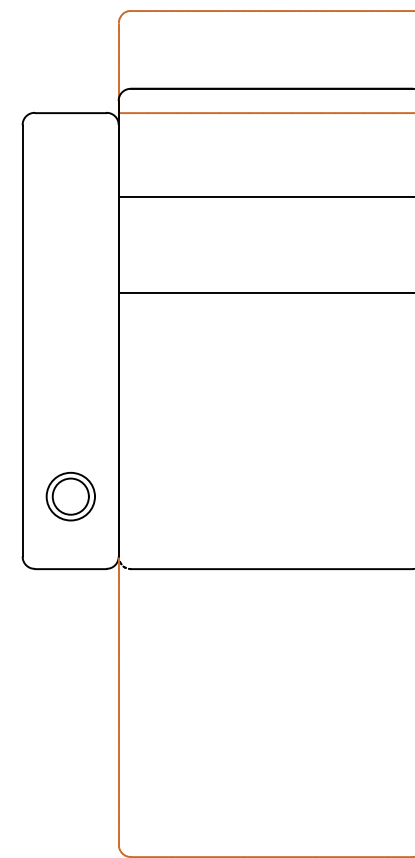
(ST)
 SMART ARM



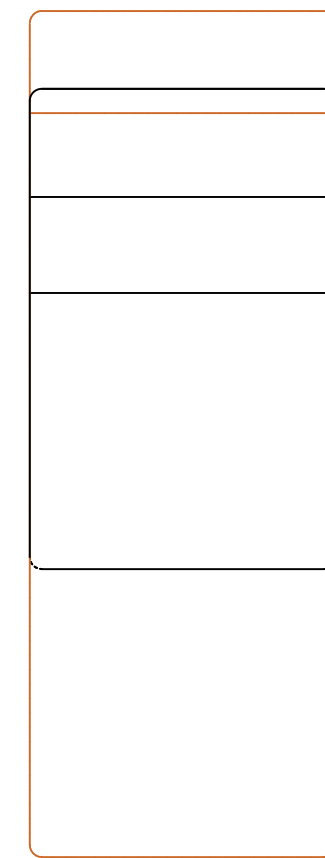
(MF65)
 25.5" WIDE SEAT
 PAN



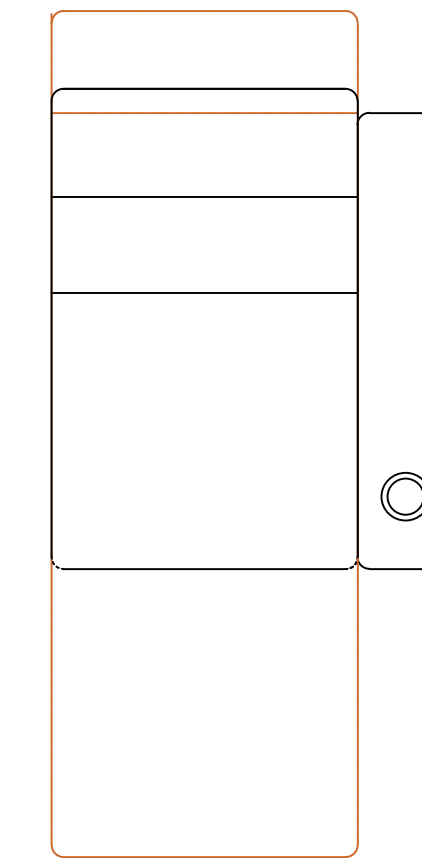
(MF65L)
 25.5" WIDE SEAT
 PAN



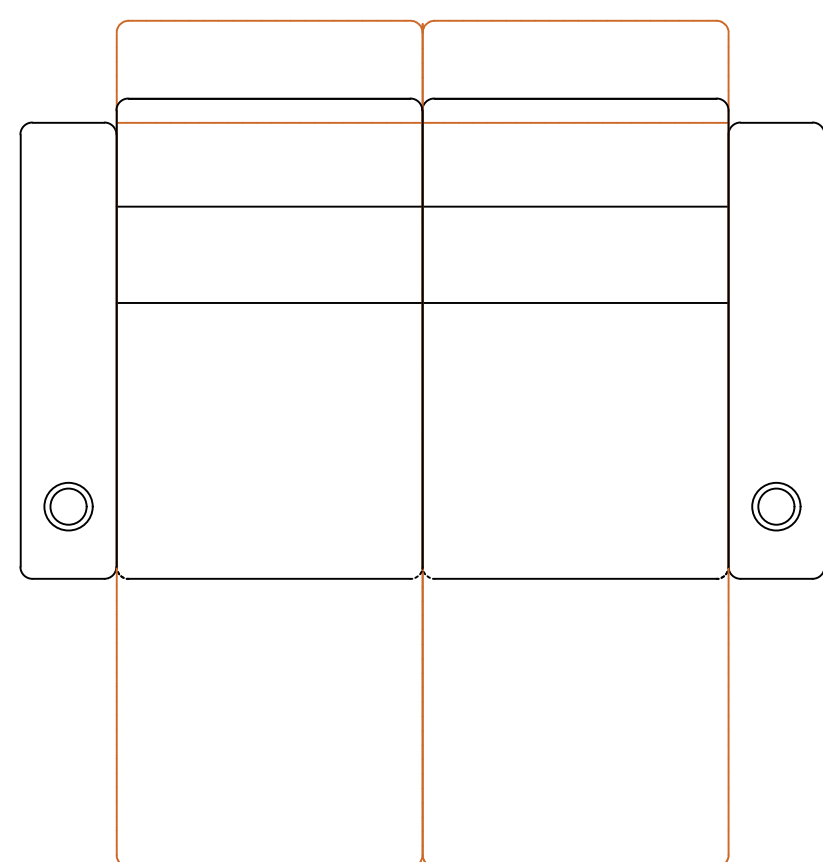
(MF65K)
 25.5" WIDE SEAT
 PAN



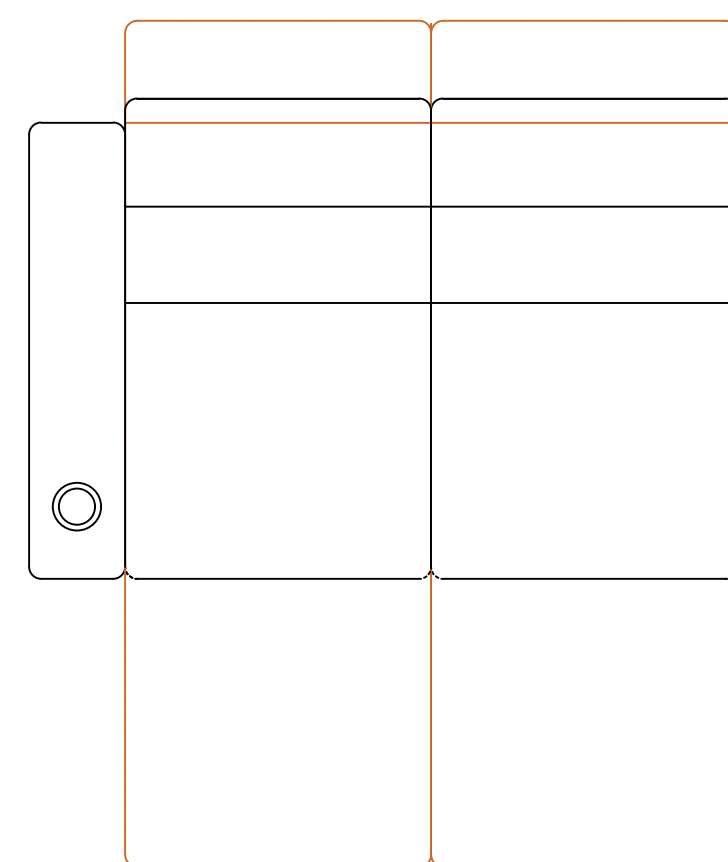
(MF65R)
 25.5" WIDE SEAT
 PAN



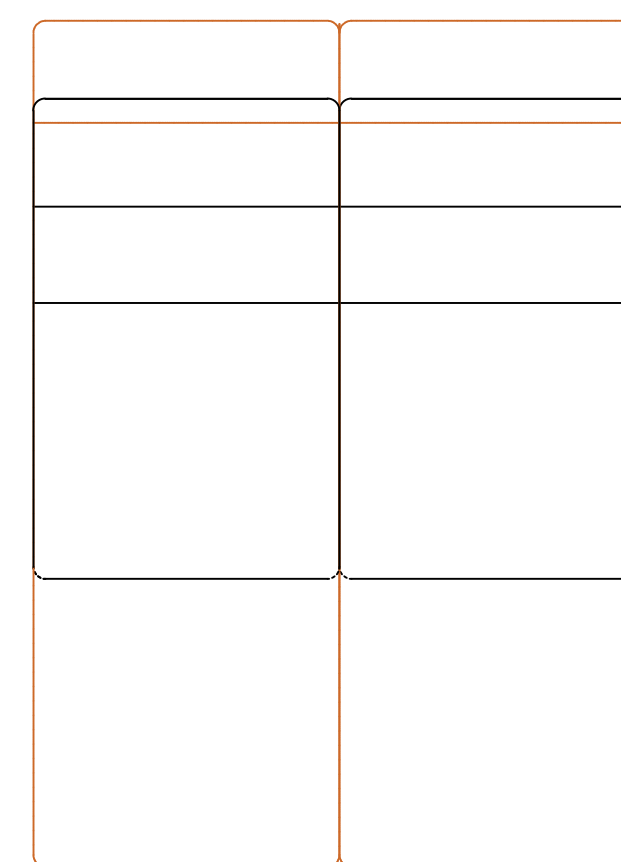
(NF65)
 25.5" WIDE SEAT
 PAN



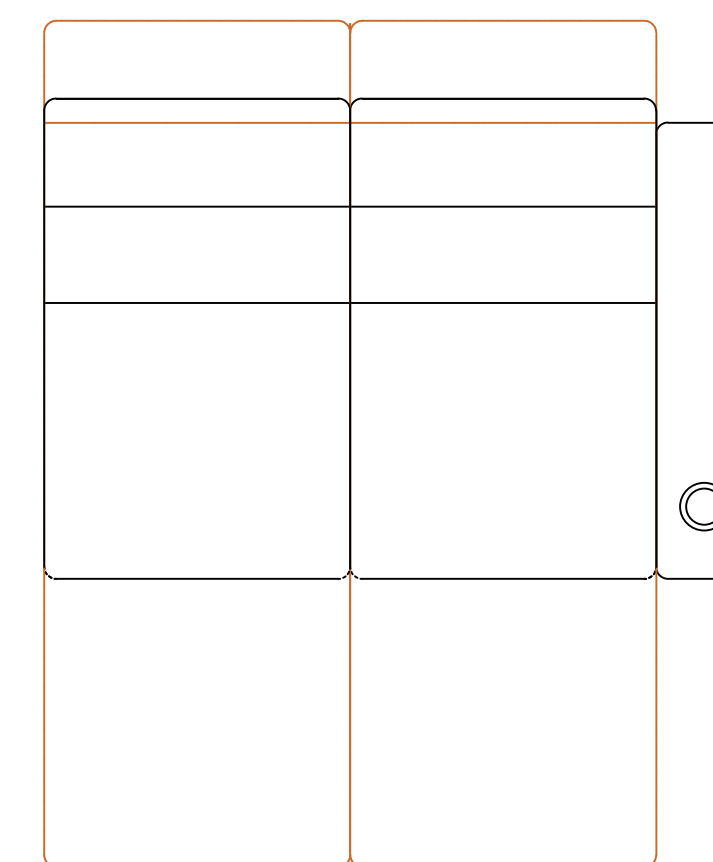
(NF65L)
 25.5" WIDE SEAT
 PAN



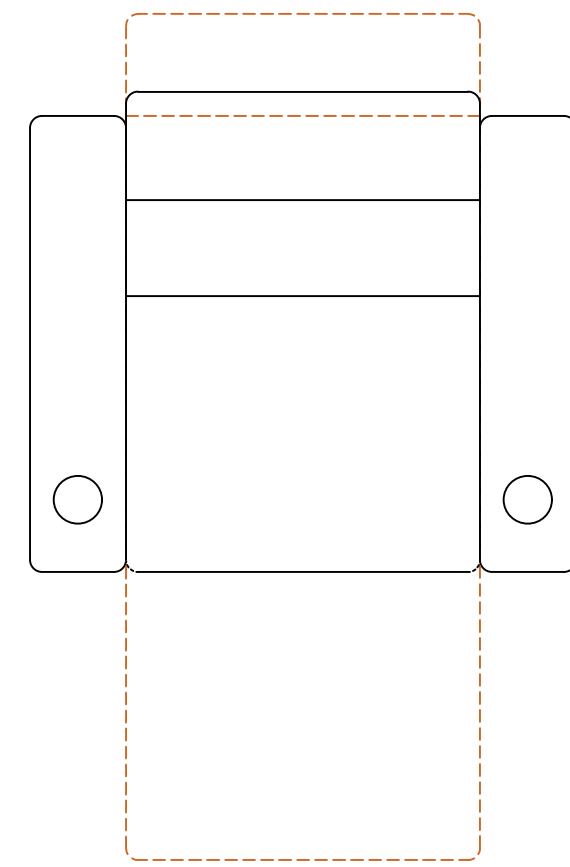
(NF65K)
 25.5" WIDE SEAT
 PAN



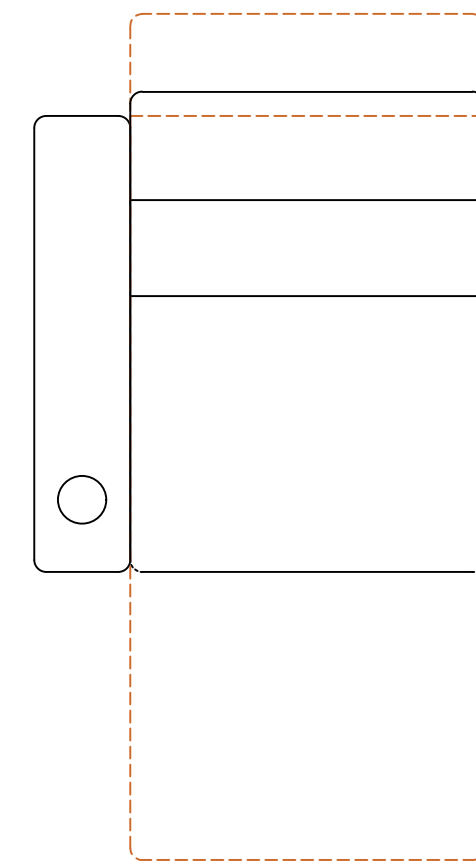
(NF65R)
 25.5" WIDE SEAT
 PAN



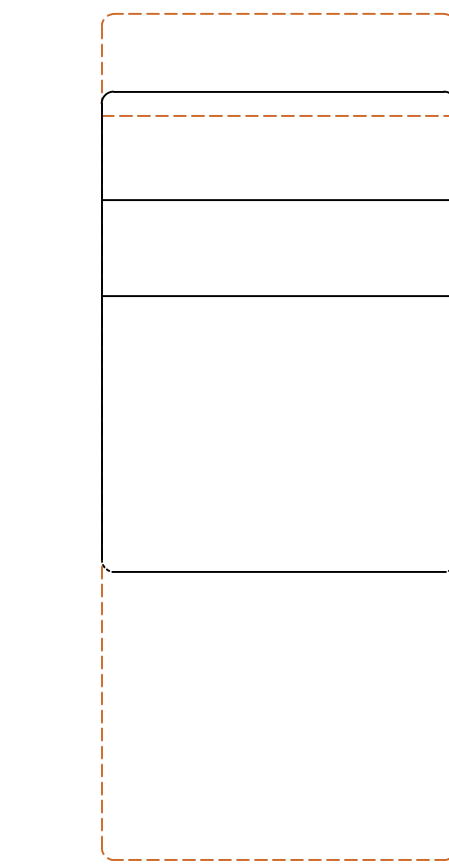
(MF75)
29.5" WIDE SEAT
PAN



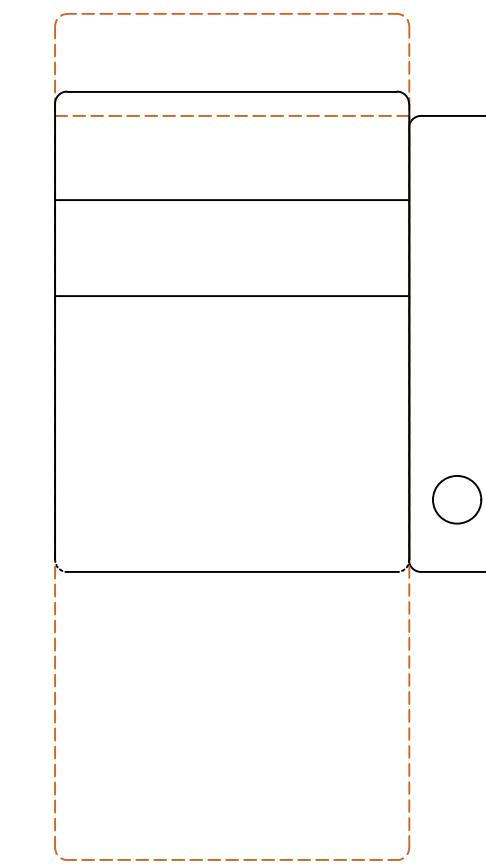
(MF75L)
29.5" WIDE SEAT
PAN



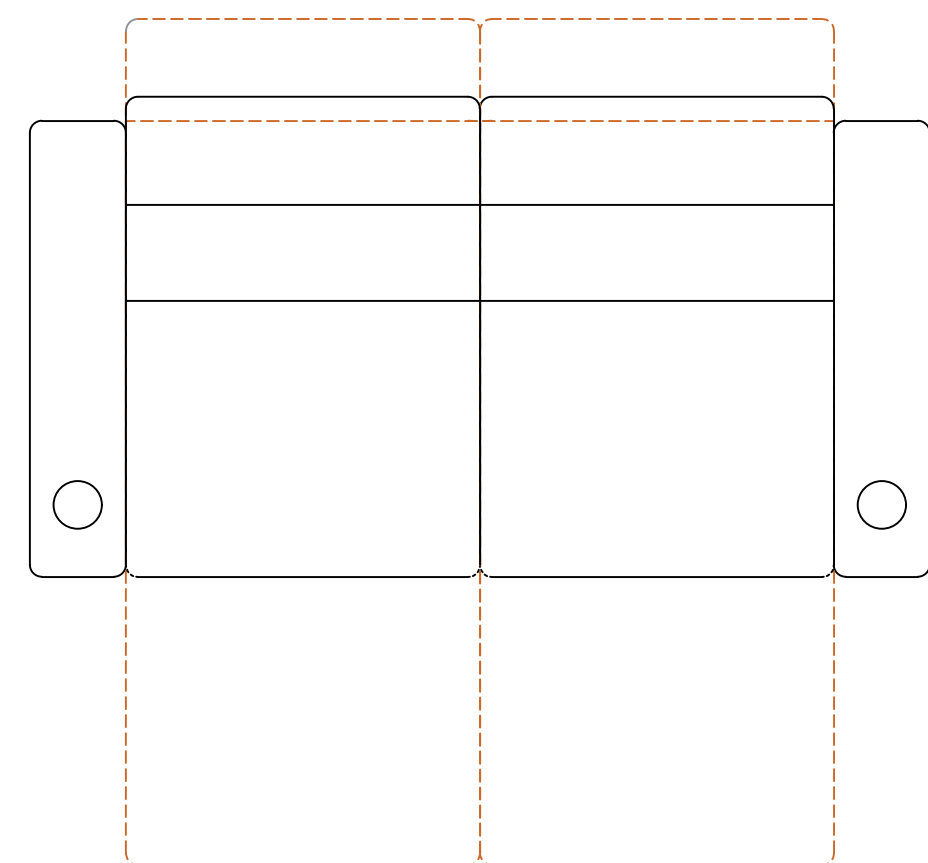
(MF75K)
29.5" WIDE SEAT
PAN



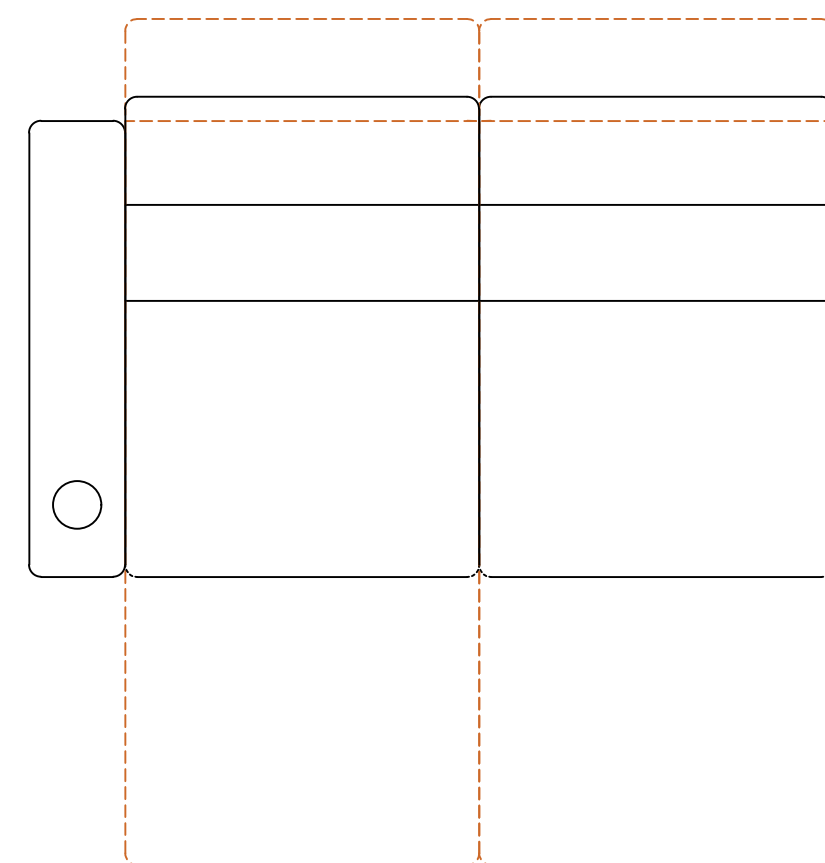
(MF75R)
29.5" WIDE SEAT
PAN



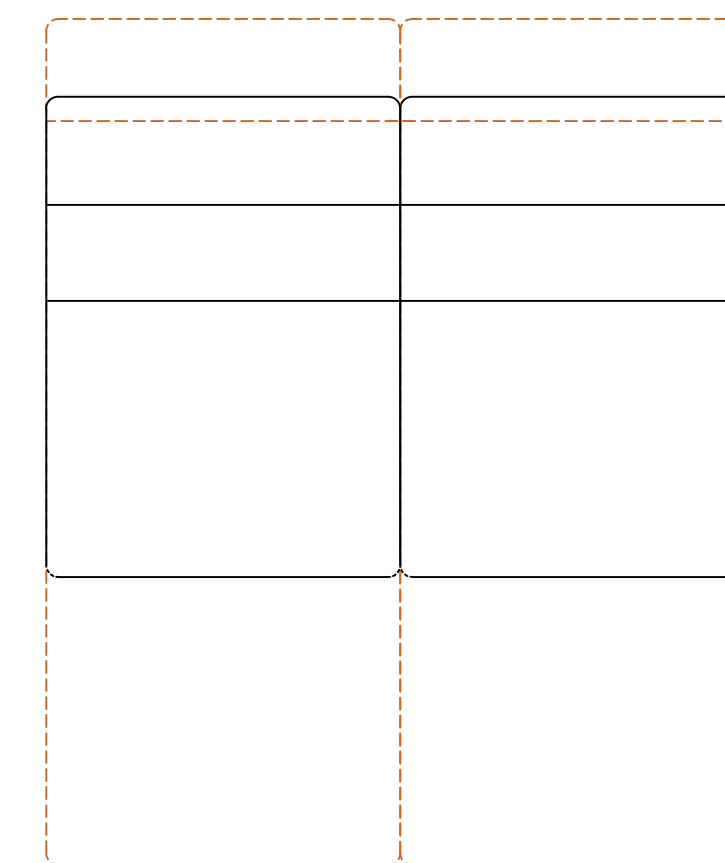
(NF75)
29.5" WIDE SEAT
PAN



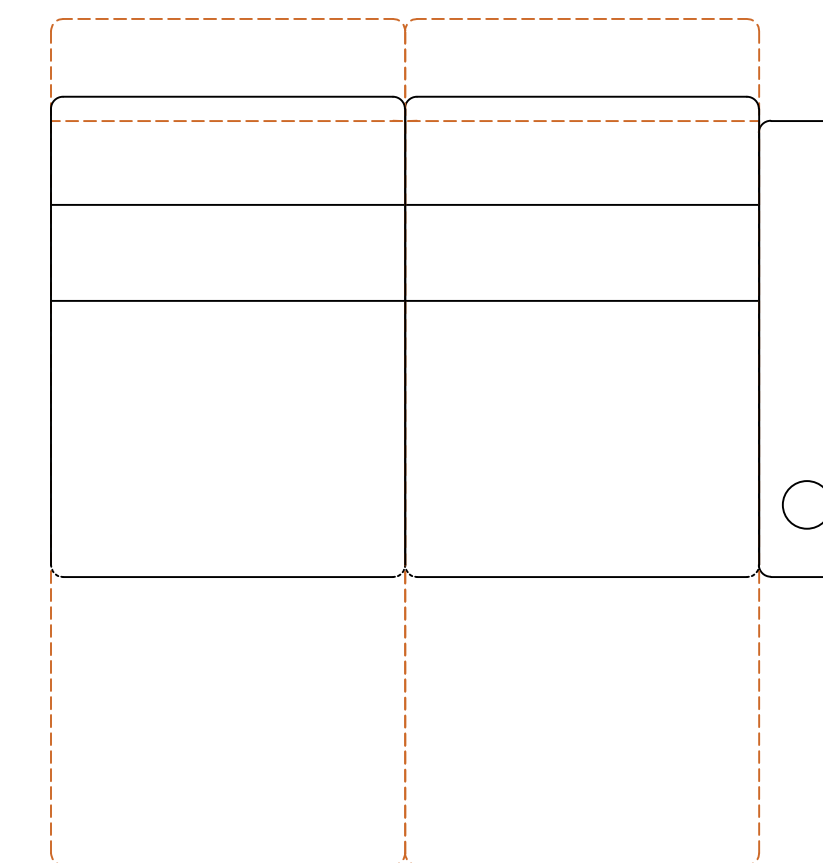
(NF75L)
29.5" WIDE SEAT
PAN



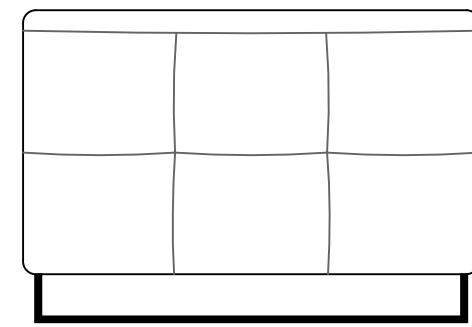
(NF75K)
29.5" WIDE SEAT
PAN



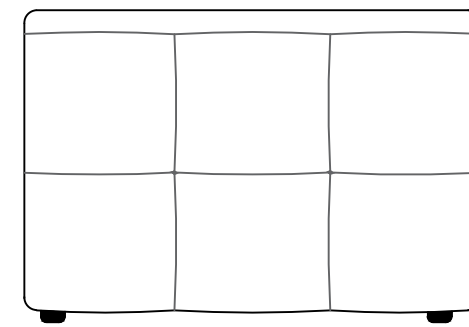
(NF75R)
29.5" WIDE SEAT
PAN



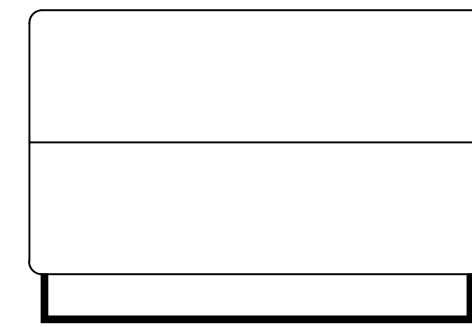
(A)
 ARM ELEVATION



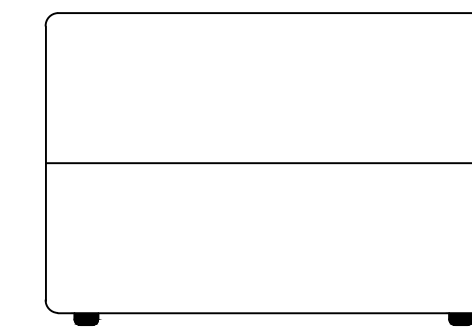
(B)
 ARM ELEVATION



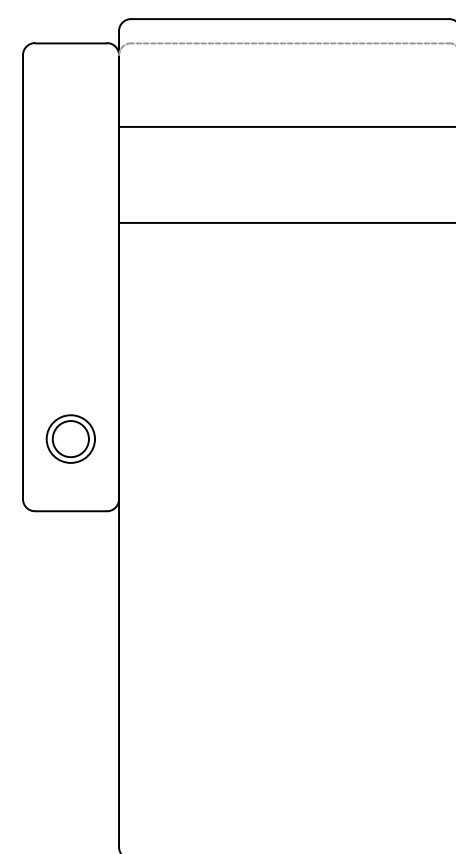
(C)
 ARM ELEVATION



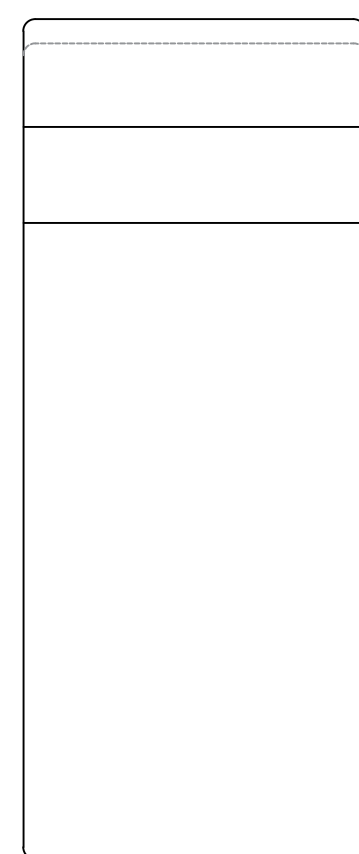
(D)
 ARM ELEVATION



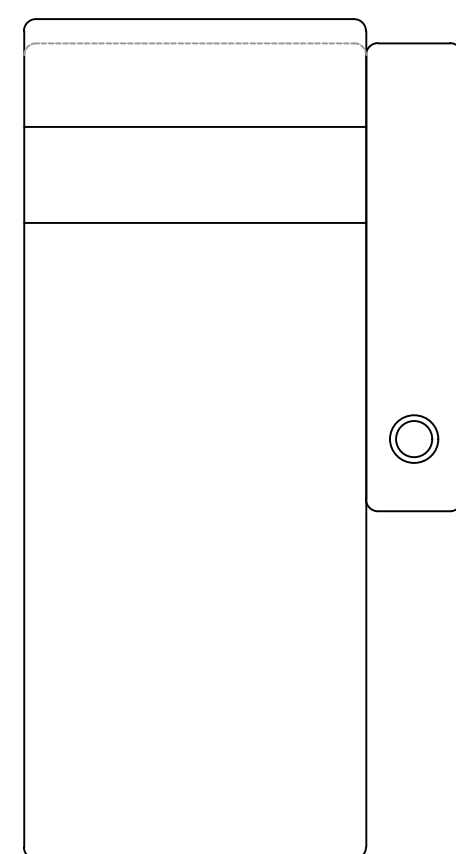
(KF65L)
 28.5" WIDE CHAISE



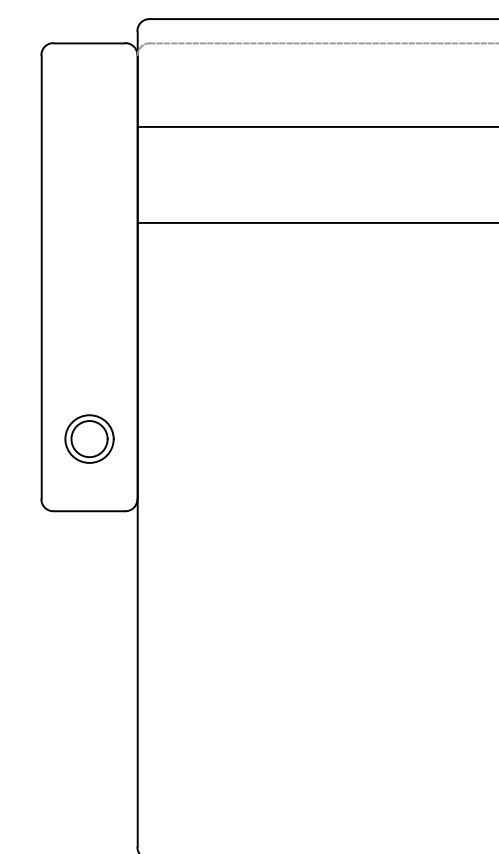
(KF65K)
 28.5" WIDE CHAISE



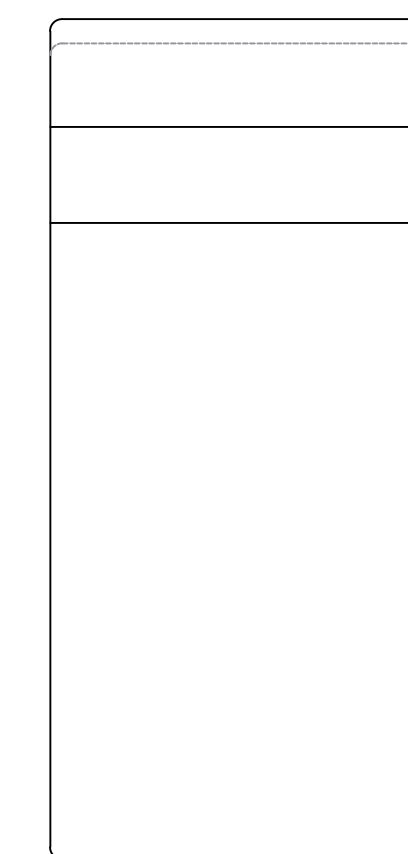
(KF65R)
 28.5" WIDE CHAISE



(KF75L)
 32.5" WIDE CHAISE



(KF75K)
 32.5" WIDE CHAISE



(KF75R)
 32.5" WIDE CHAISE

