

ESTRELLA SOFA  
 1-1/2" = 1'-0"

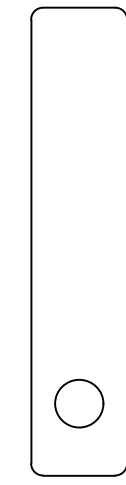
GENERIC  
 DETAILS

DRAWN BY: NS

DATE: 08/14/2023

SHEET

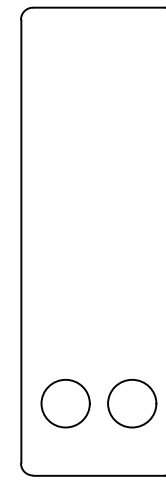
(HA05)  
 8" OUTSIDE ARM



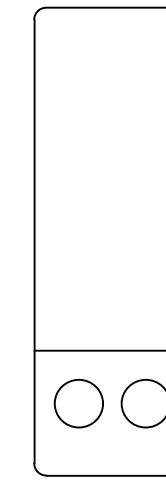
(H05)  
 7 1/2" INSIDE ARM



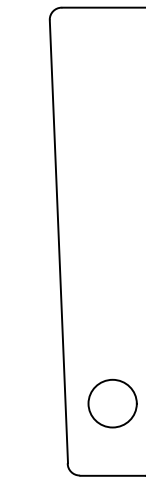
(H052)  
 13" INSIDE  
 DOUBLE ARM



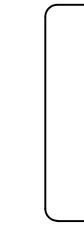
(HF052)  
 13" INSIDE  
 STORAGE ARM



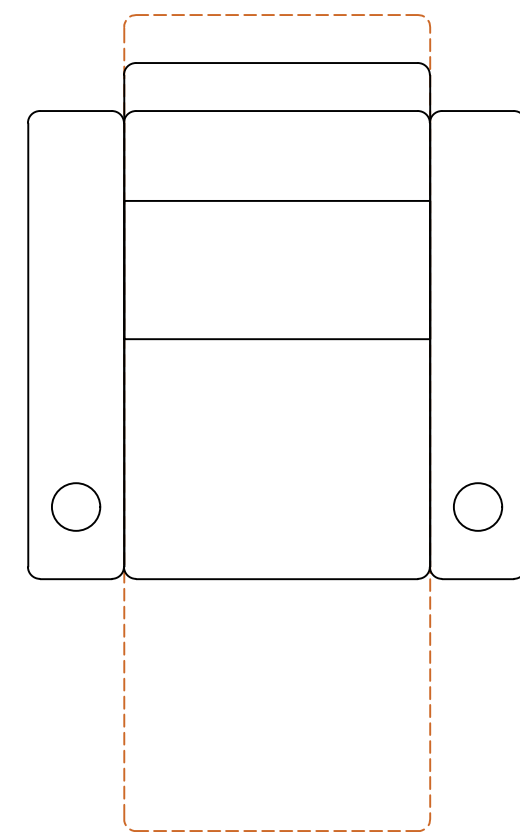
(L009)  
 10 1/2" INSIDE  
 WEDGE ARM



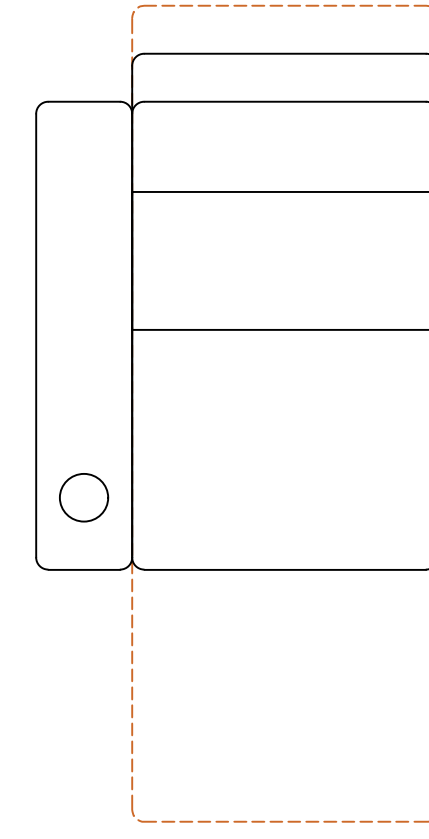
(ST)  
 SMART ARM



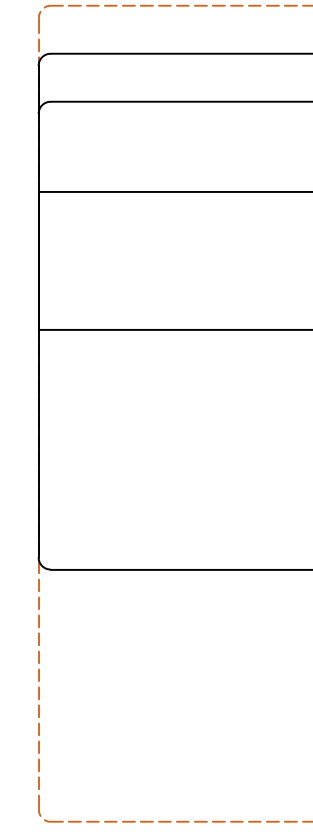
(MF65)  
 25.5" WIDE SEAT  
 PAN



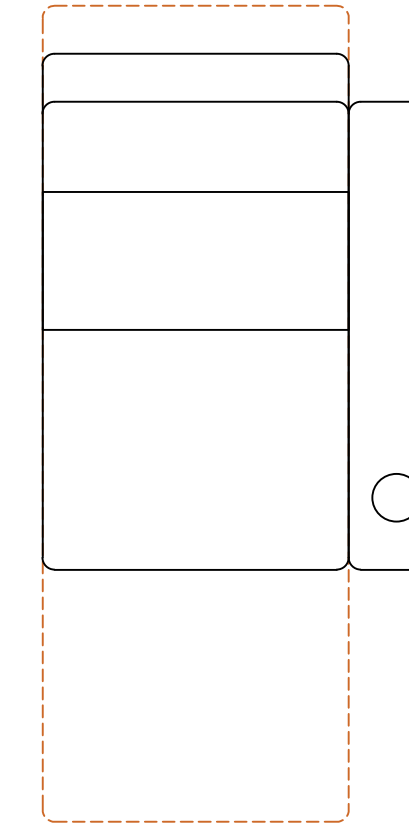
(MF65L)  
 25.5" WIDE SEAT  
 PAN



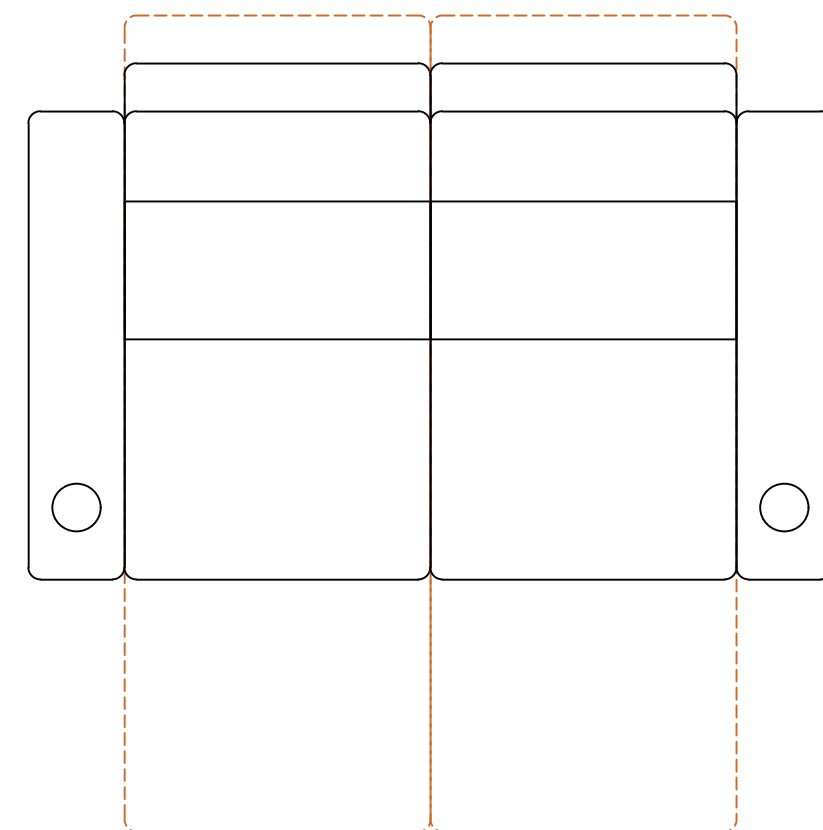
(MF65K)  
 25.5" WIDE SEAT  
 PAN



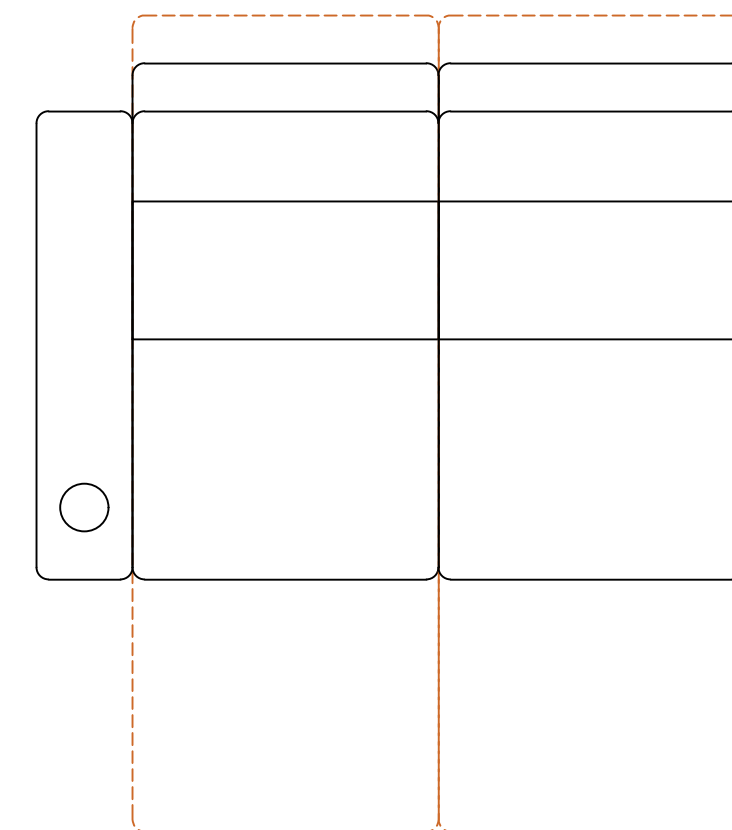
(MF65R)  
 25.5" WIDE SEAT  
 PAN



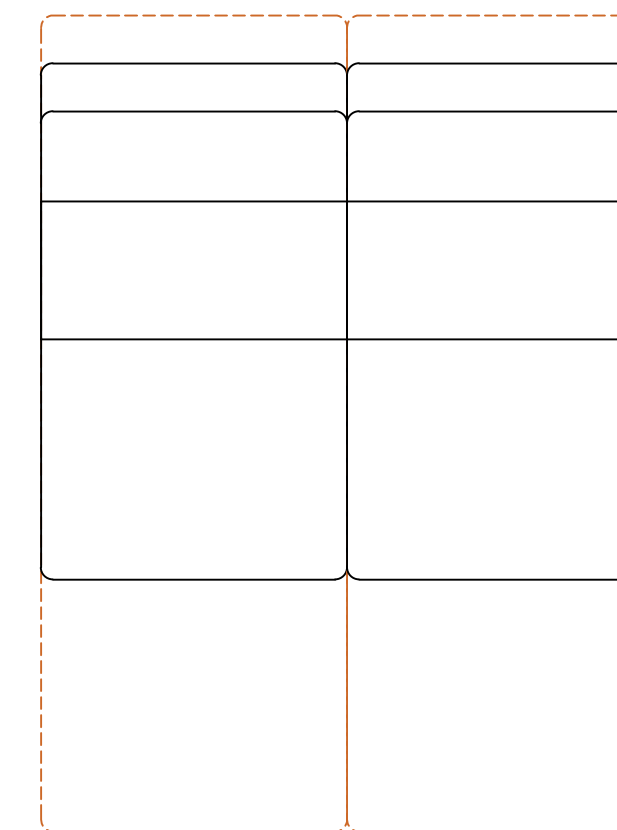
(NF65)  
 25.5" WIDE SEAT  
 PAN



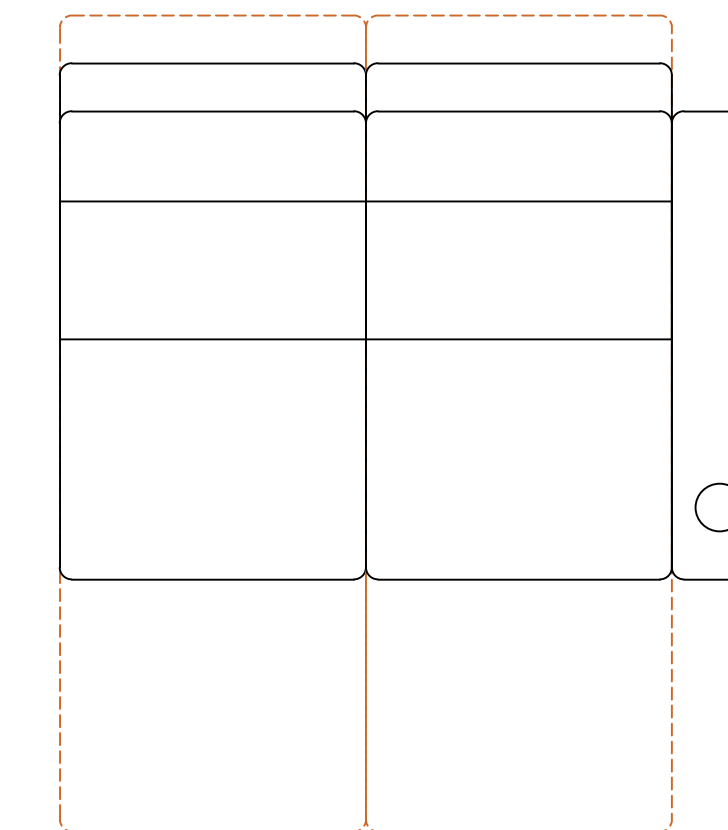
(NF65L)  
 25.5" WIDE SEAT  
 PAN



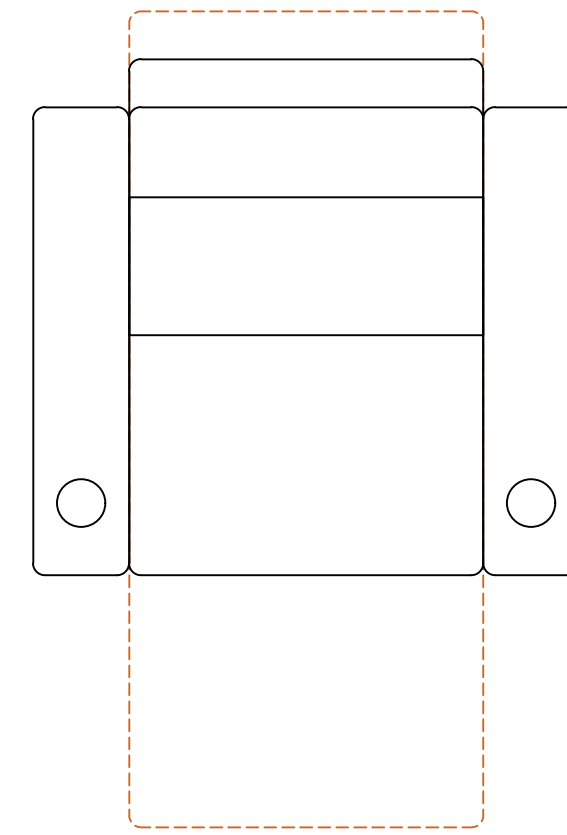
(NF65K)  
 25.5" WIDE SEAT  
 PAN



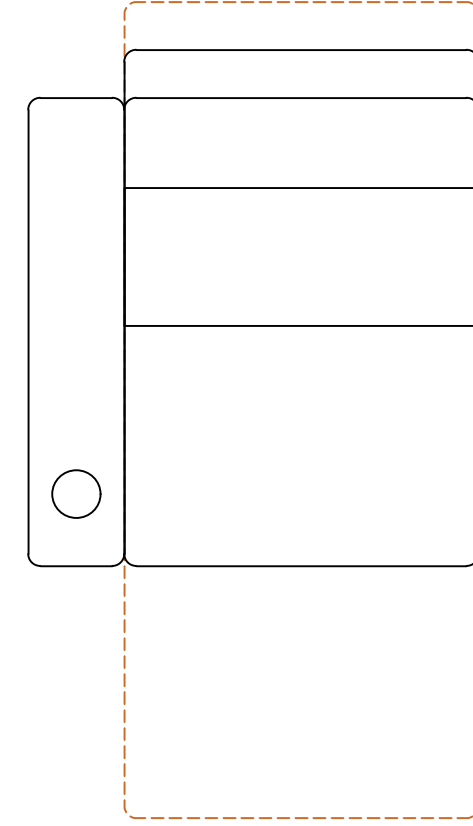
(NF65R)  
 25.5" WIDE SEAT  
 PAN



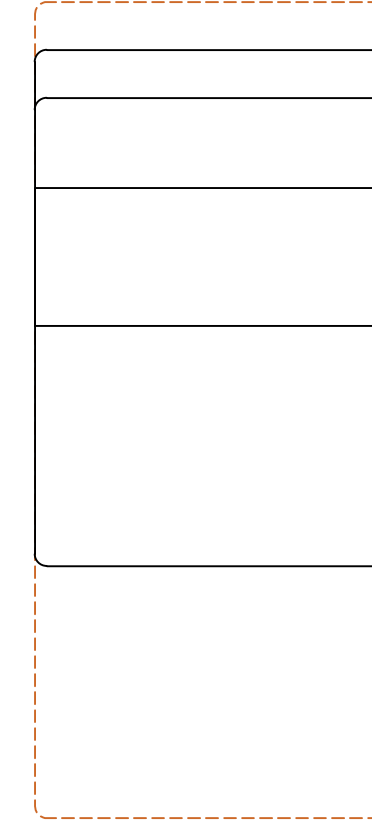
(MF75)  
29.5" WIDE SEAT  
PAN



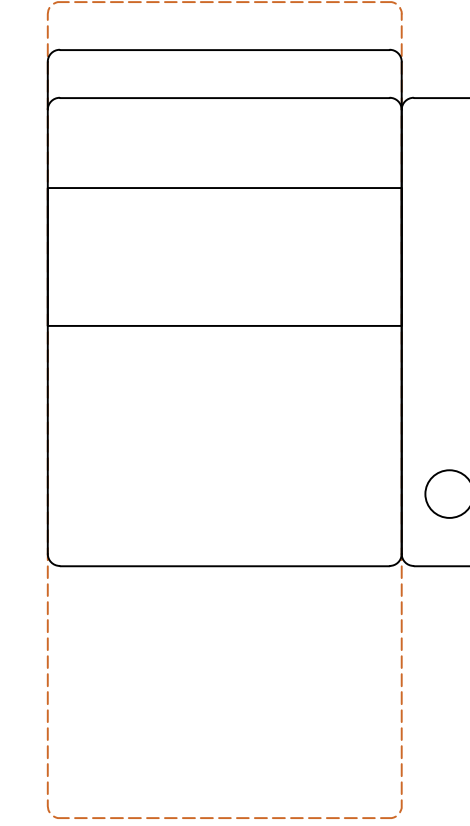
(MF75L)  
29.5" WIDE SEAT  
PAN



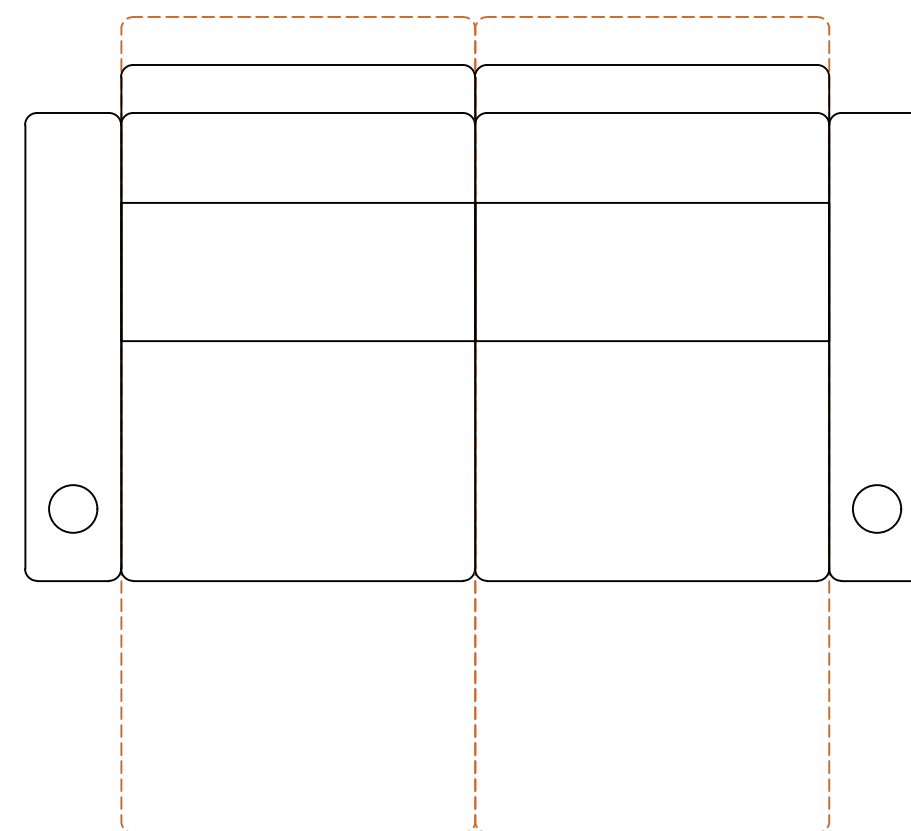
(MF75K)  
29.5" WIDE SEAT  
PAN



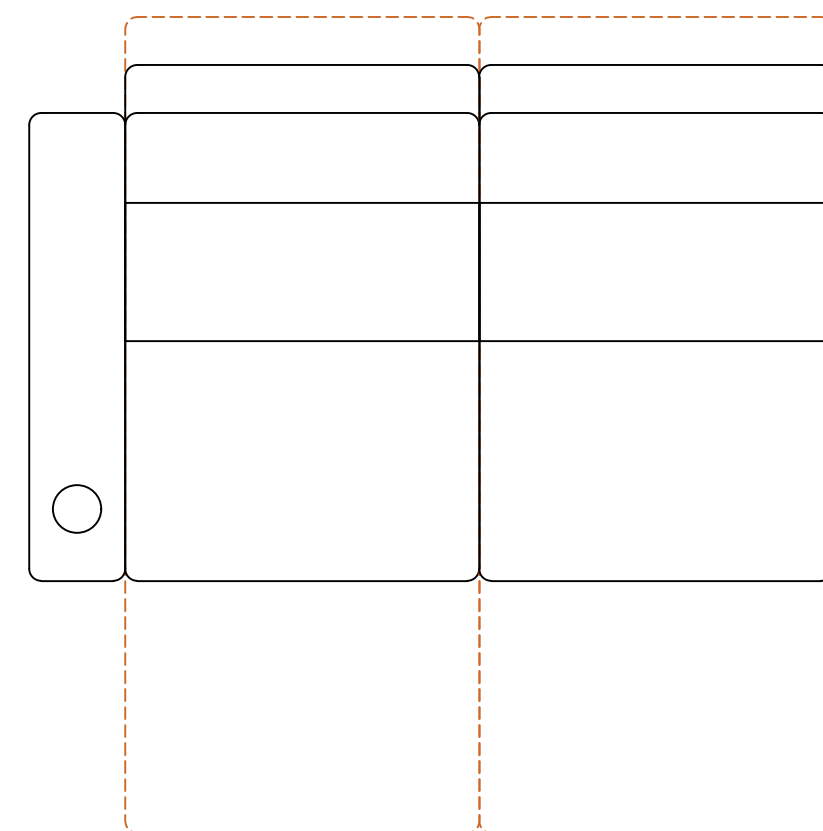
(MF75R)  
29.5" WIDE SEAT  
PAN



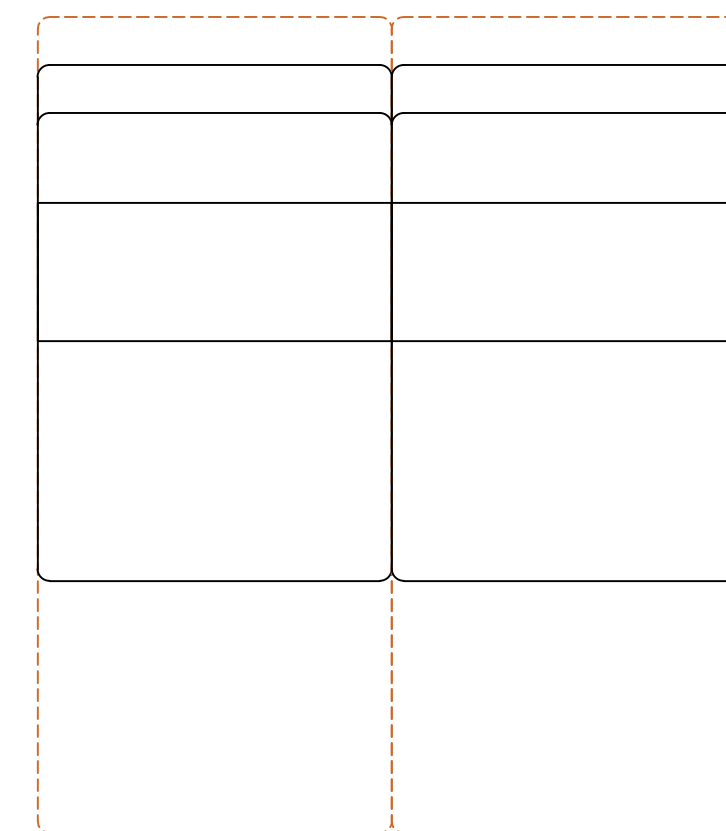
(NF75)  
29.5" WIDE SEAT  
PAN



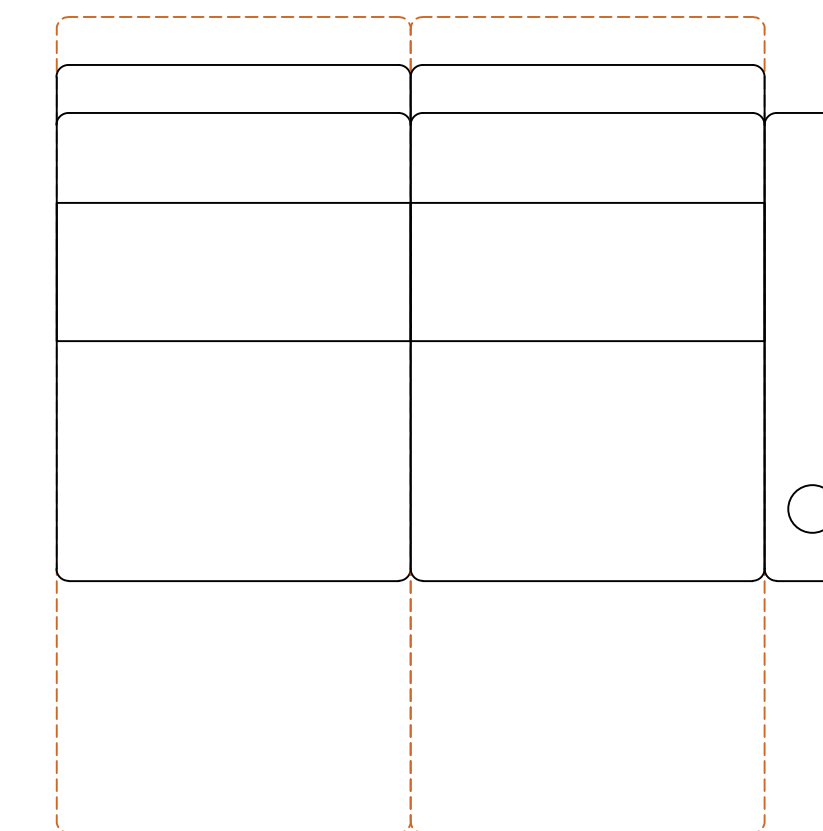
(NF75L)  
29.5" WIDE SEAT  
PAN



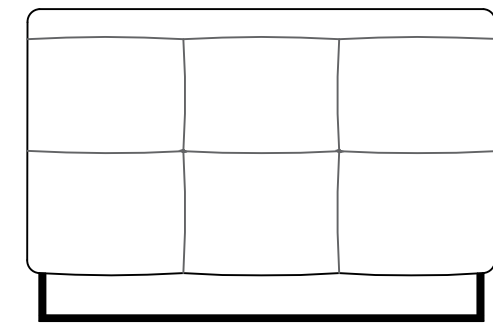
(NF75K)  
29.5" WIDE SEAT  
PAN



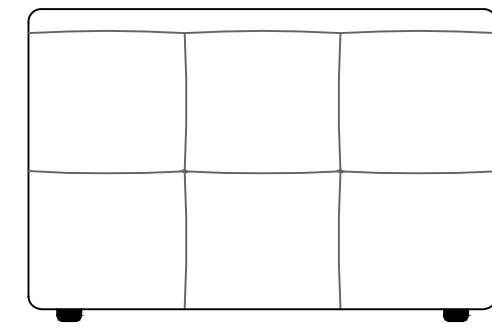
(NF75R)  
29.5" WIDE SEAT  
PAN



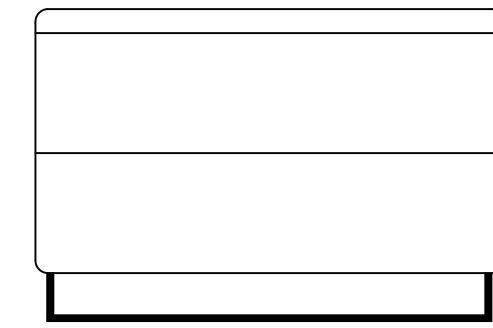
(A)  
 ARM ELEVATION



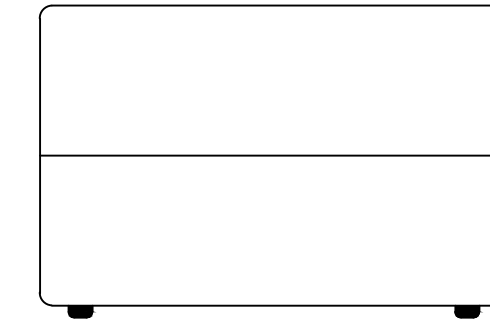
(B)  
 ARM ELEVATION



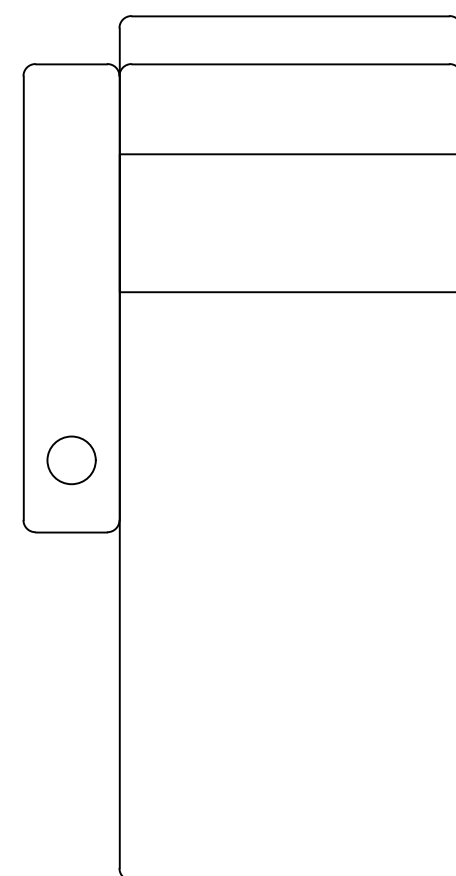
(C)  
 ARM ELEVATION



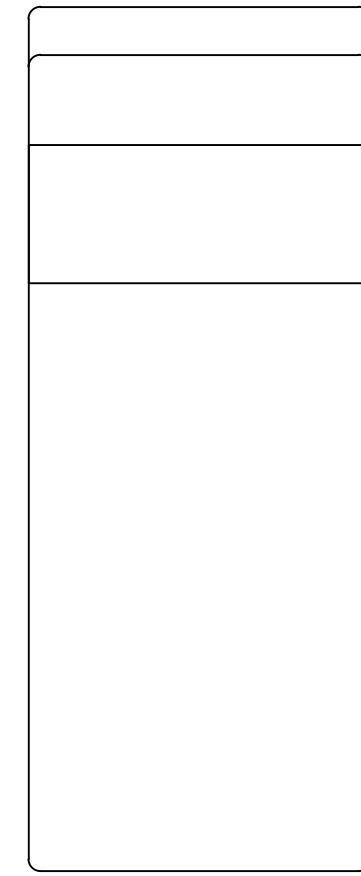
(D)  
 ARM ELEVATION



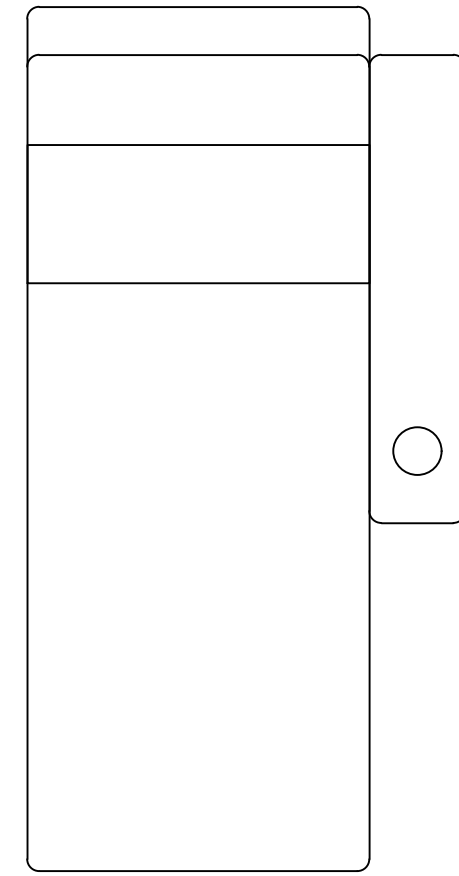
(KF65L)  
 28.5" WIDE CHAISE



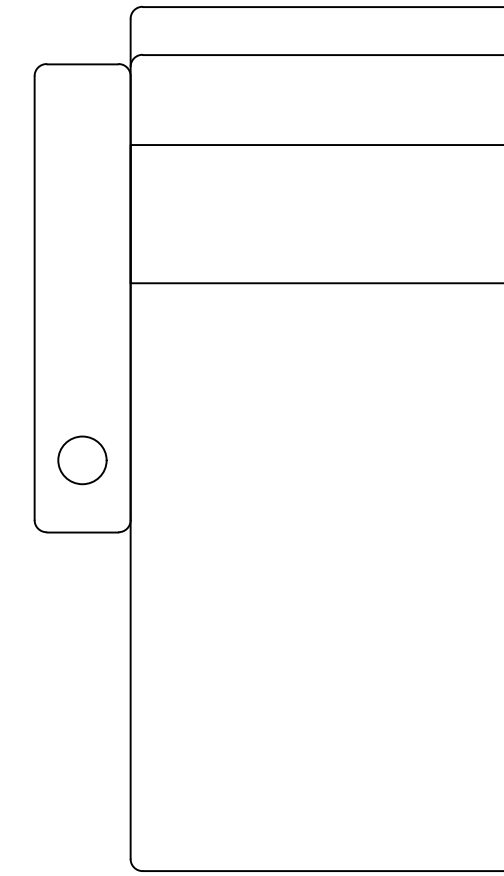
(KF65K)  
 28.5" WIDE CHAISE



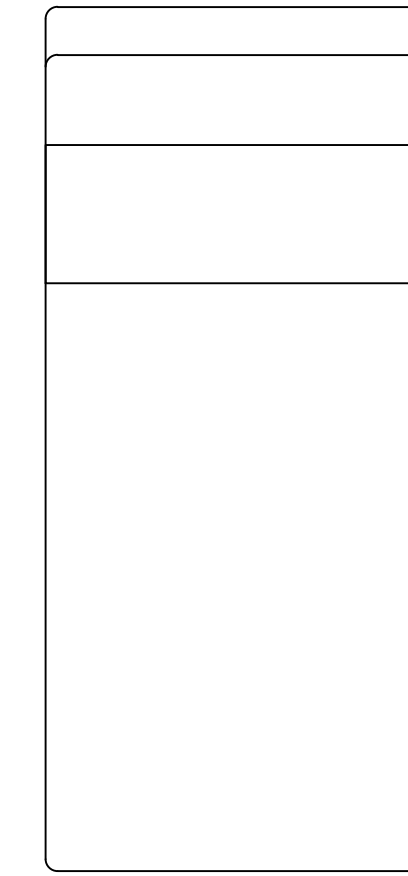
(KF65R)  
 28.5" WIDE CHAISE



(KF75L)  
 32.5" WIDE CHAISE



(KF75K)  
 32.5" WIDE CHAISE



(KF75R)  
 32.5" WIDE CHAISE

