

FERRARI INCLINER
 1-1/2" = 1'-0"

GENERIC
 DETAILS

DRAWN BY: NS

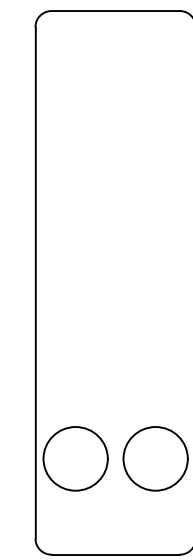
DATE: 08/14/2023

SHEET

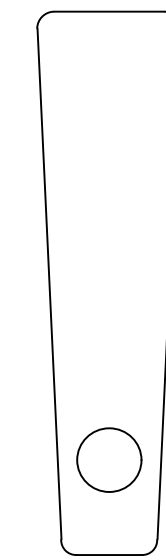
(H05)
6" OUTSIDE / INSIDE ARM



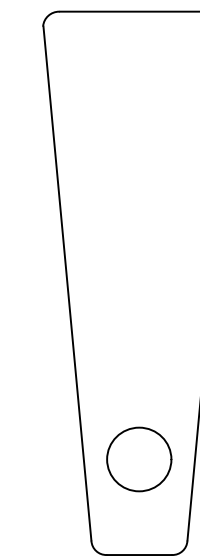
(H052)
10" DOUBLE ARM



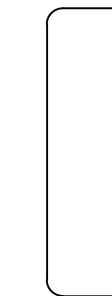
(L009)
9" WEDGE ARM



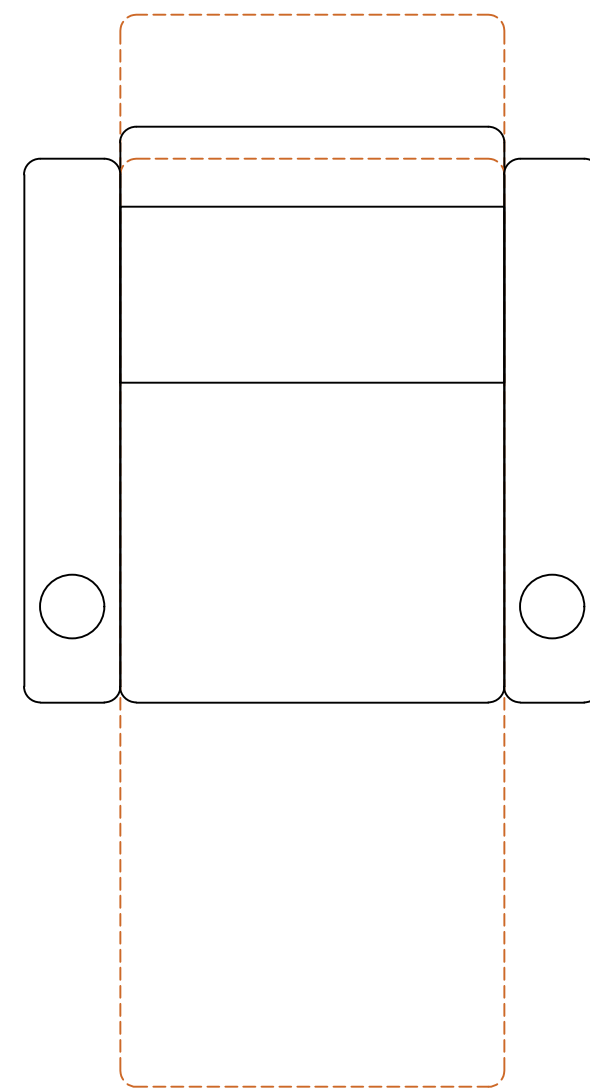
(L0012)
12" WEDGE ARM



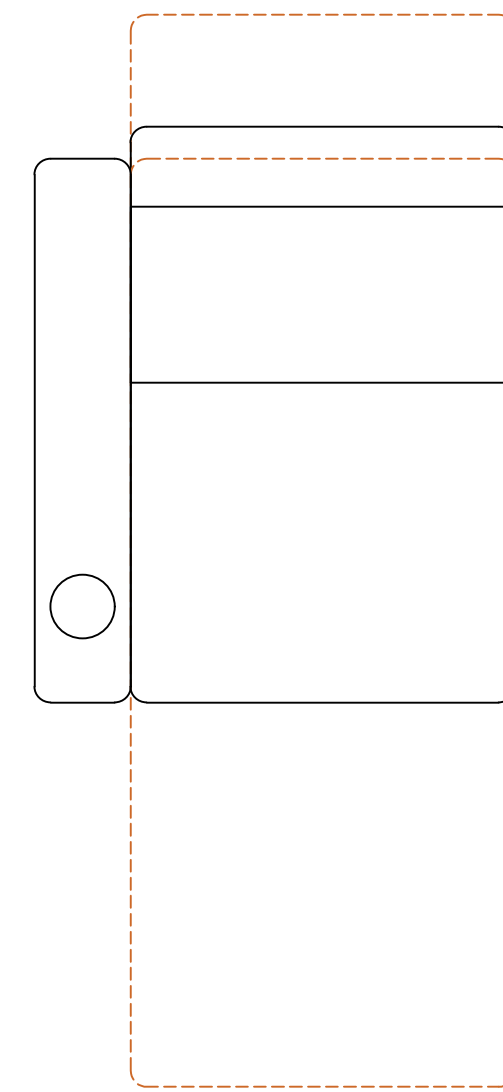
(ST)
SMART ARM



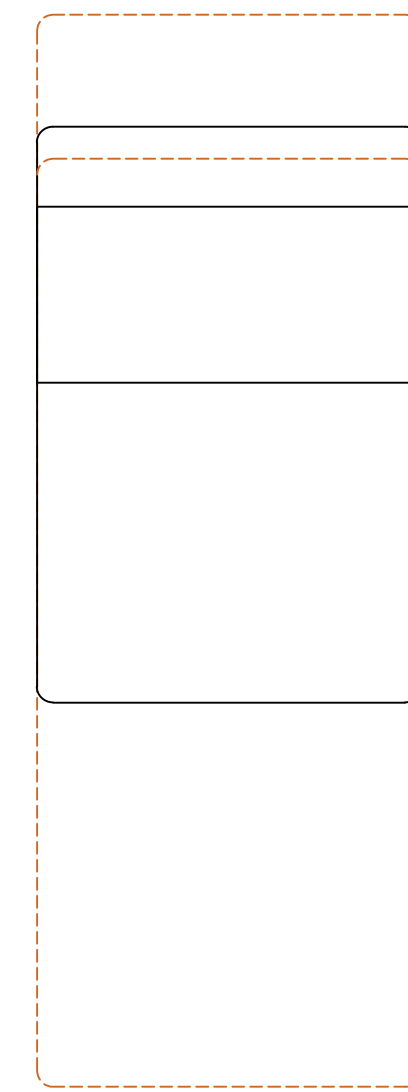
(MF)
24" SEAT PAN



(MF07)
24" SEAT PAN



(MF05)
24" SEAT PAN



(MF06)
24" SEAT PAN

