

M3 INCLINER
 1-1/2" = 1'-0"

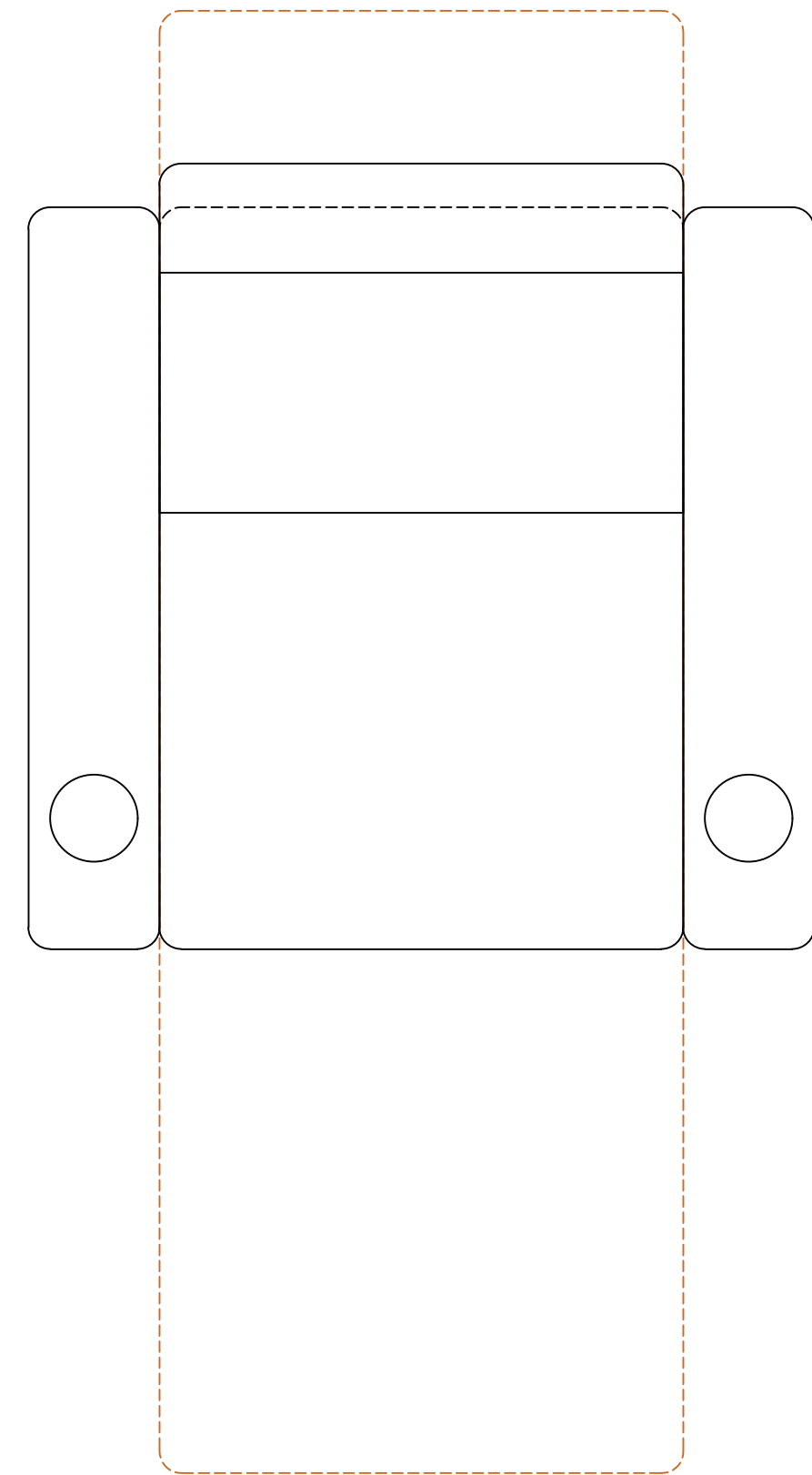
GENERIC
 DETAILS

DRAWN BY: NS

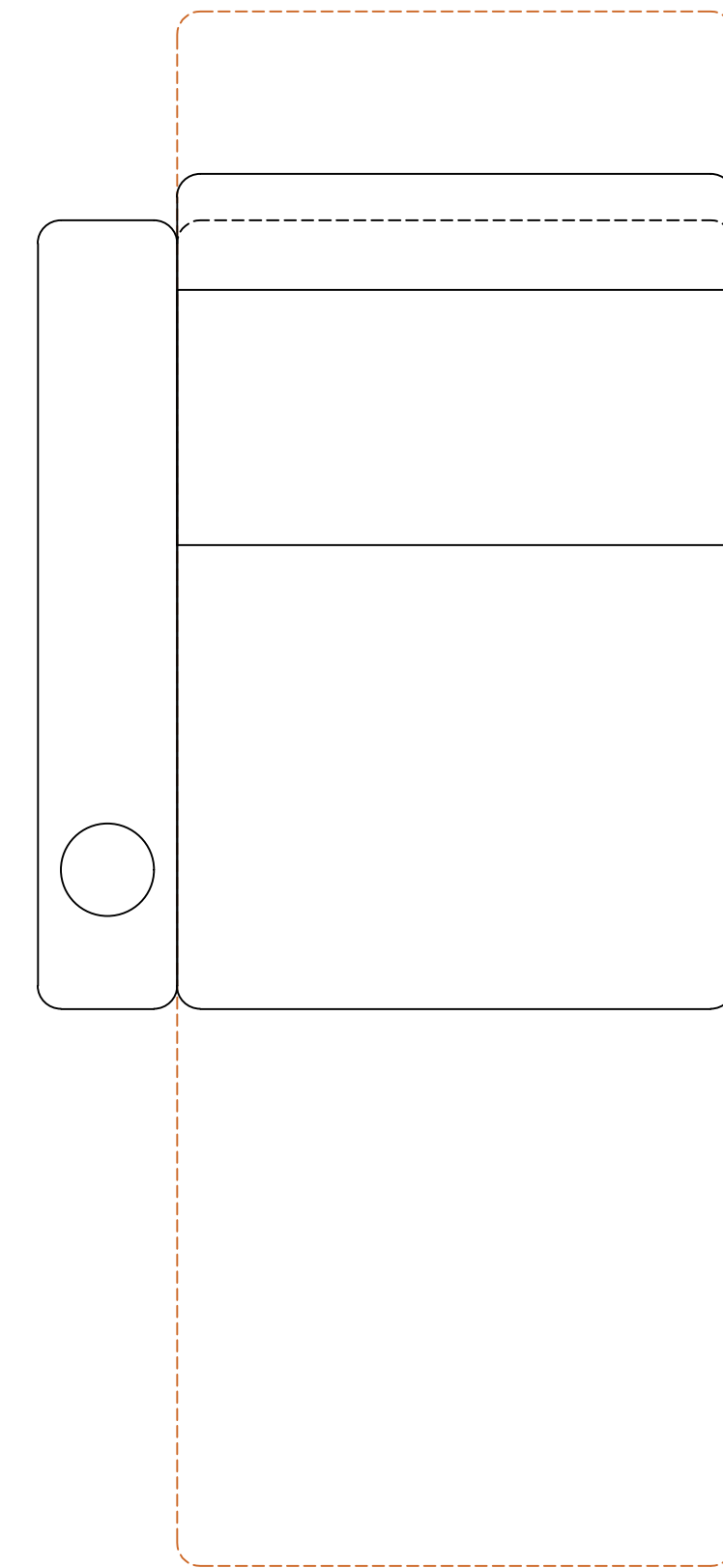
DATE: 08/14/2023

SHEET

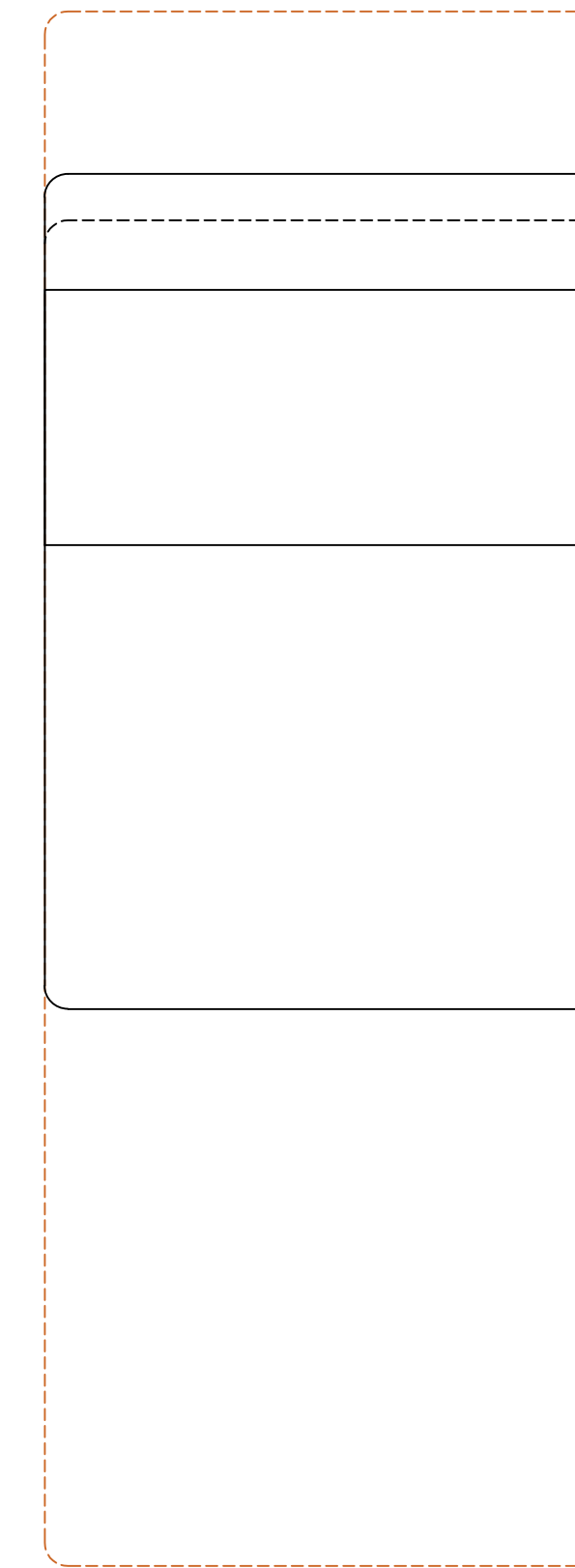
(MF)
24" SEAT PAN



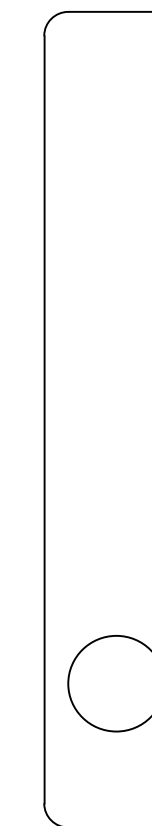
(MF07)
24" SEAT PAN



24" SEAT PAN



6" ARM



M3 INCLINER
1-1/2" = 1'-0"

GENERIC
DETAILS

DRAWN BY: NS

DATE: 08/14/2023

SHEET