

PARAMOUNT INCLINER  
 1-1/2" = 1'-0"

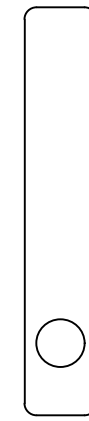
GENERIC  
 DETAILS

DRAWN BY: NS

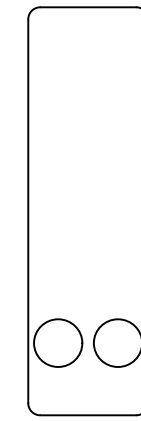
DATE: 08/14/2023

SHEET

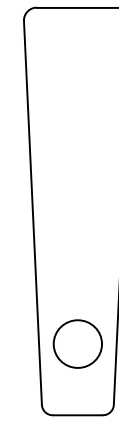
(H05)  
 6" OUTSIDE / INSIDE ARM



(H052)  
 10" DOUBLE ARM



(L009)  
 9" WEDGE ARM



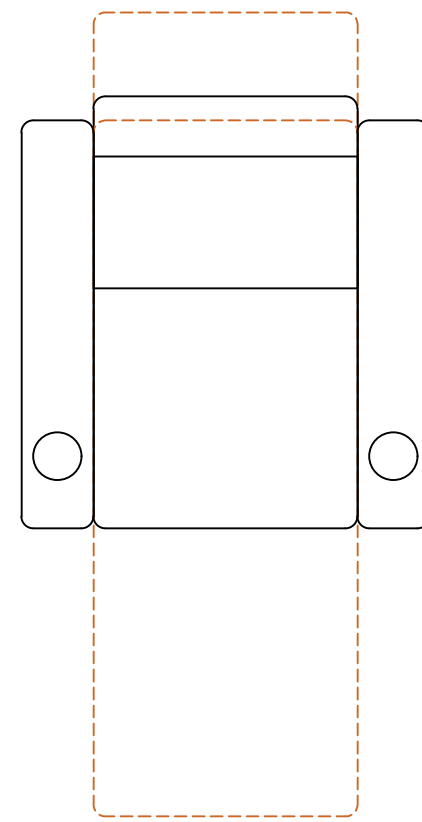
(L0012)  
 12" WEDGE ARM



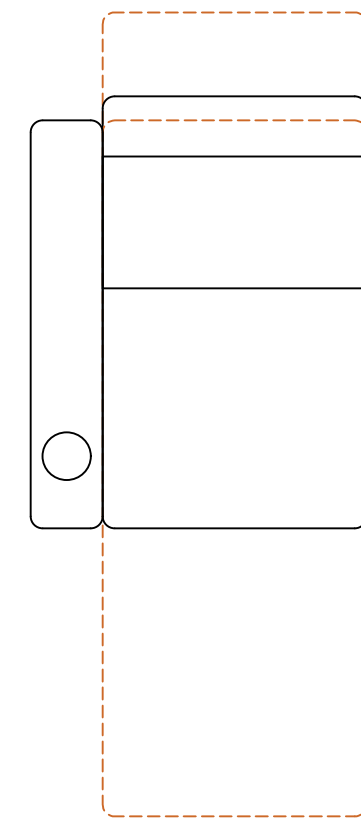
(ST)  
 SMART ARM



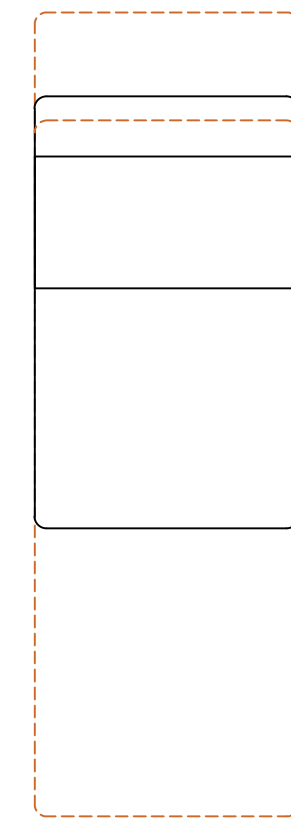
(MF1)  
 22" SEAT PAN



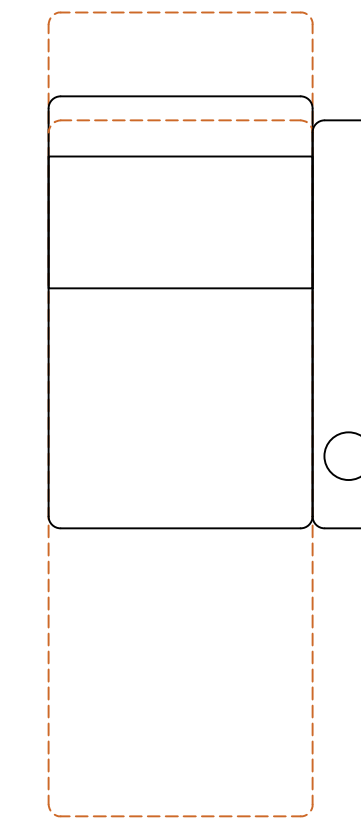
(MF071)  
 22" SEAT PAN



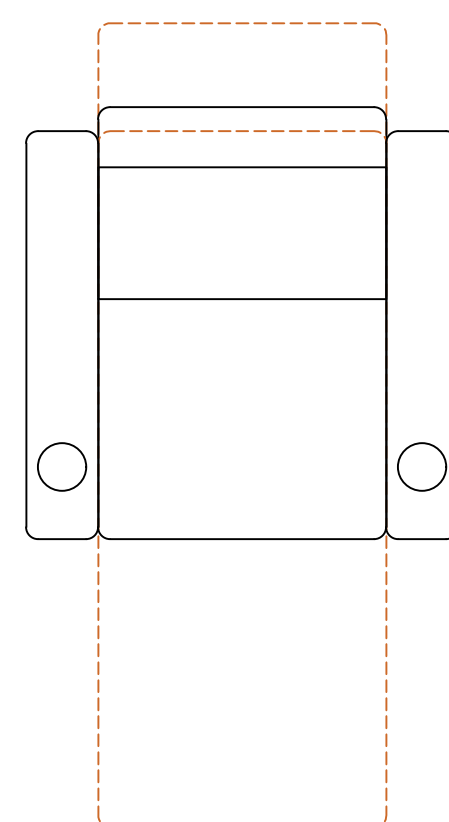
(MF051)  
 22" SEAT PAN



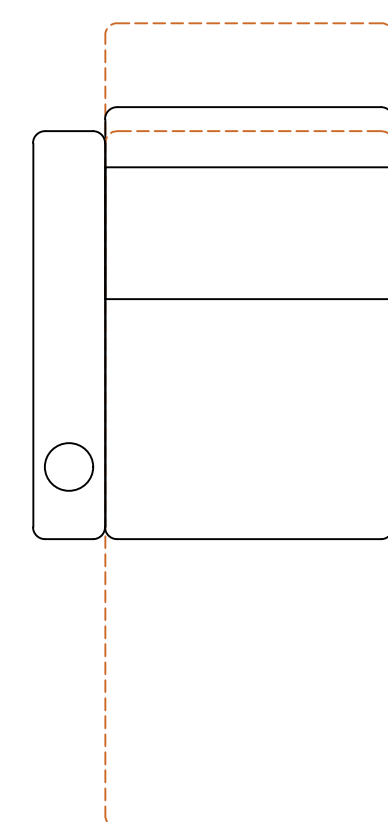
(MF061)  
 22" SEAT PAN



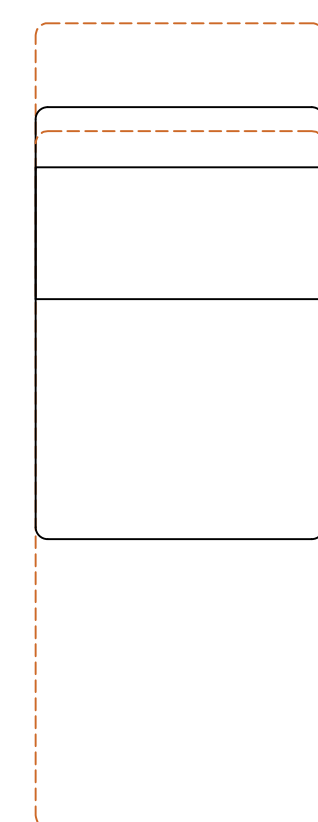
(MF)  
 24" SEAT PAN



(MF07)  
 24" SEAT PAN



(MF05)  
 24" SEAT PAN



(MF06)  
 24" SEAT PAN

