

VALENTINO INCLINER
 1-1/2" = 1'-0"

GENERIC
 DETAILS

DRAWN BY: NS

DATE: 08/14/2023

SHEET

(H05)
 6.5"
 OUTSIDE / INSIDE ARM



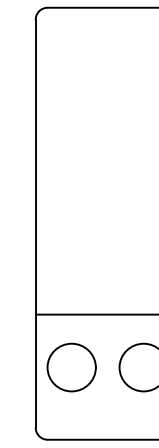
(L009)
 10.5" WEDGE ARM



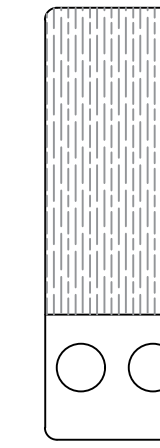
(H052)
 12" DOUBLE ARM



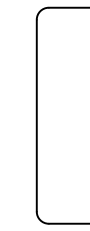
(HFB52)
 12" STORAGE ARM
 COVERED TOP



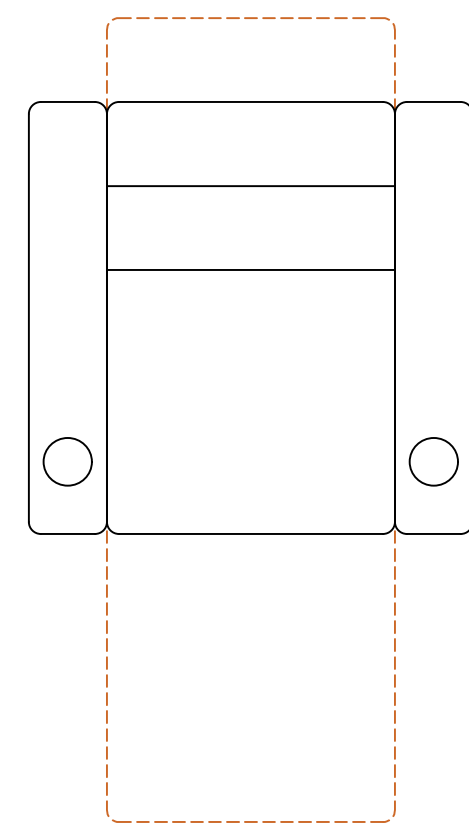
(HFN52)
 12" STORAGE ARM
 WOOD TOP



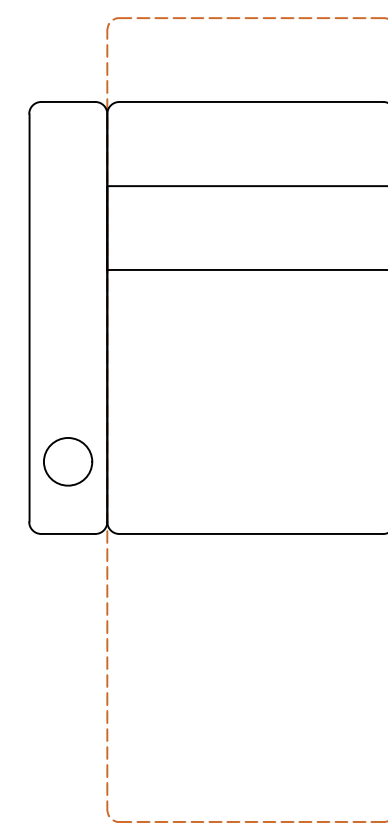
(ST)
 SMART ARM



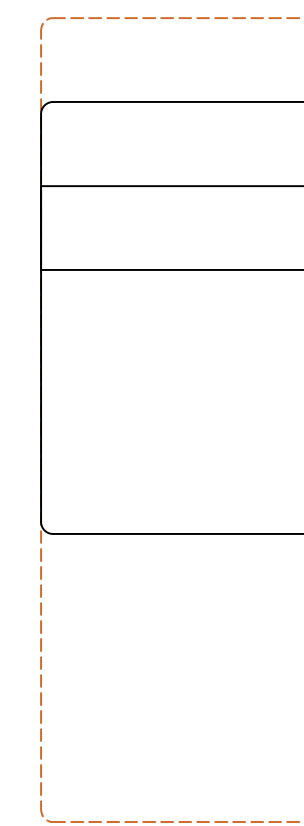
(MF59)
 24" SEAT PAN



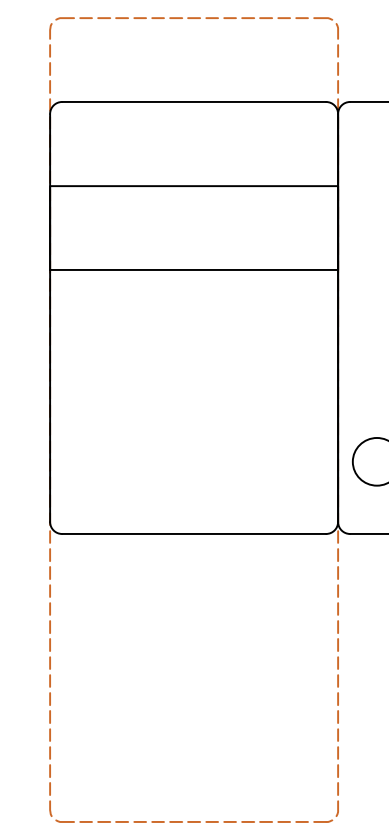
(MF59L)
 24" SEAT PAN



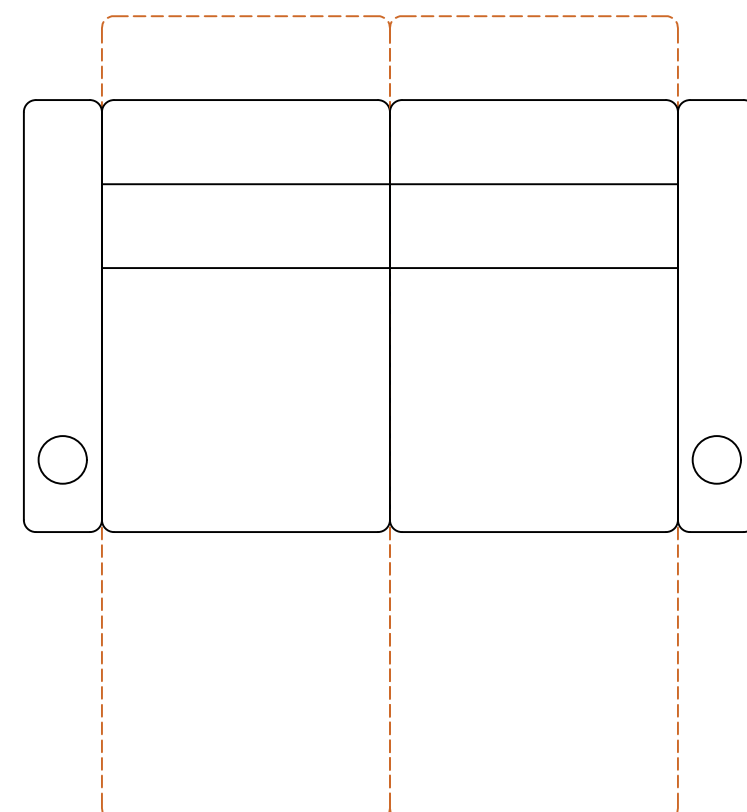
(MF59K)
 24" SEAT PAN



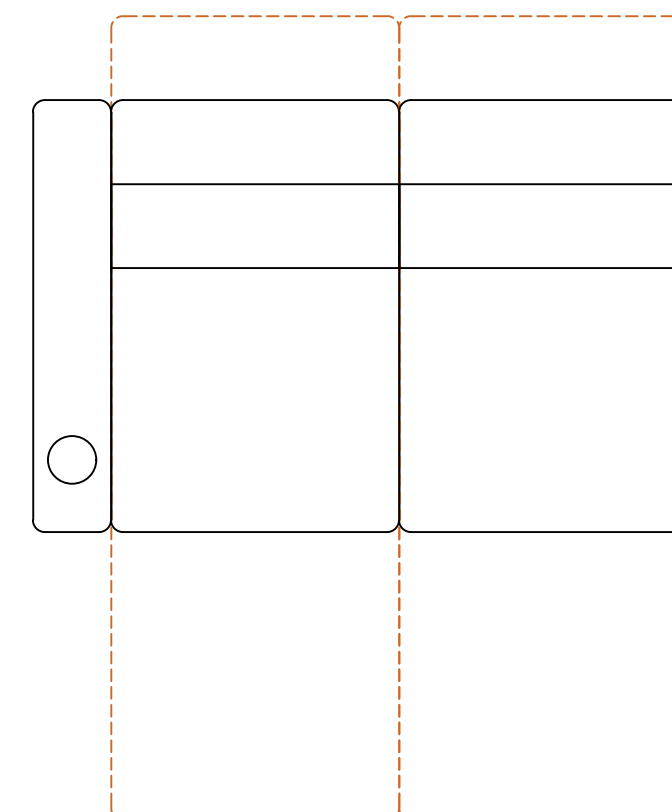
(MF59R)
 24" SEAT PAN



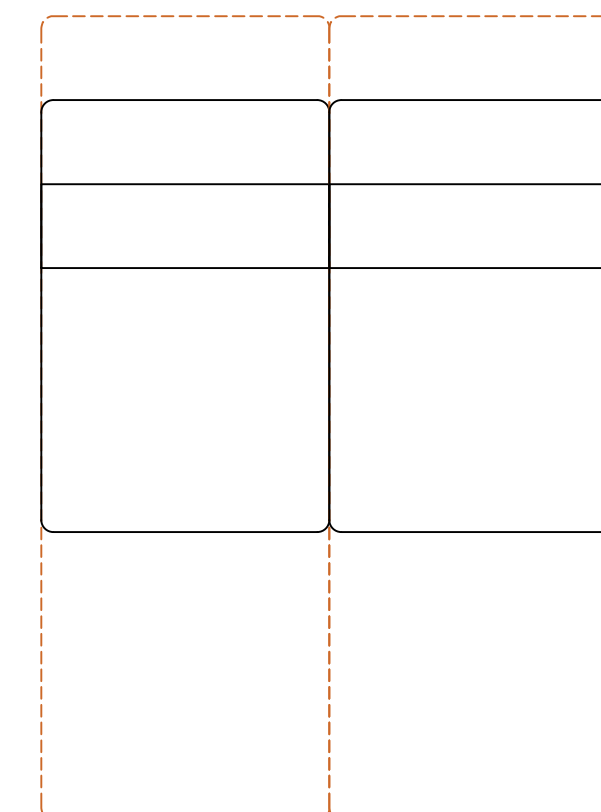
(NF59)
 24" SEAT PAN



(NF59L)
 24" SEAT PAN



(NF59K)
 24" SEAT PAN



(NF59R)
 24" SEAT PAN

