

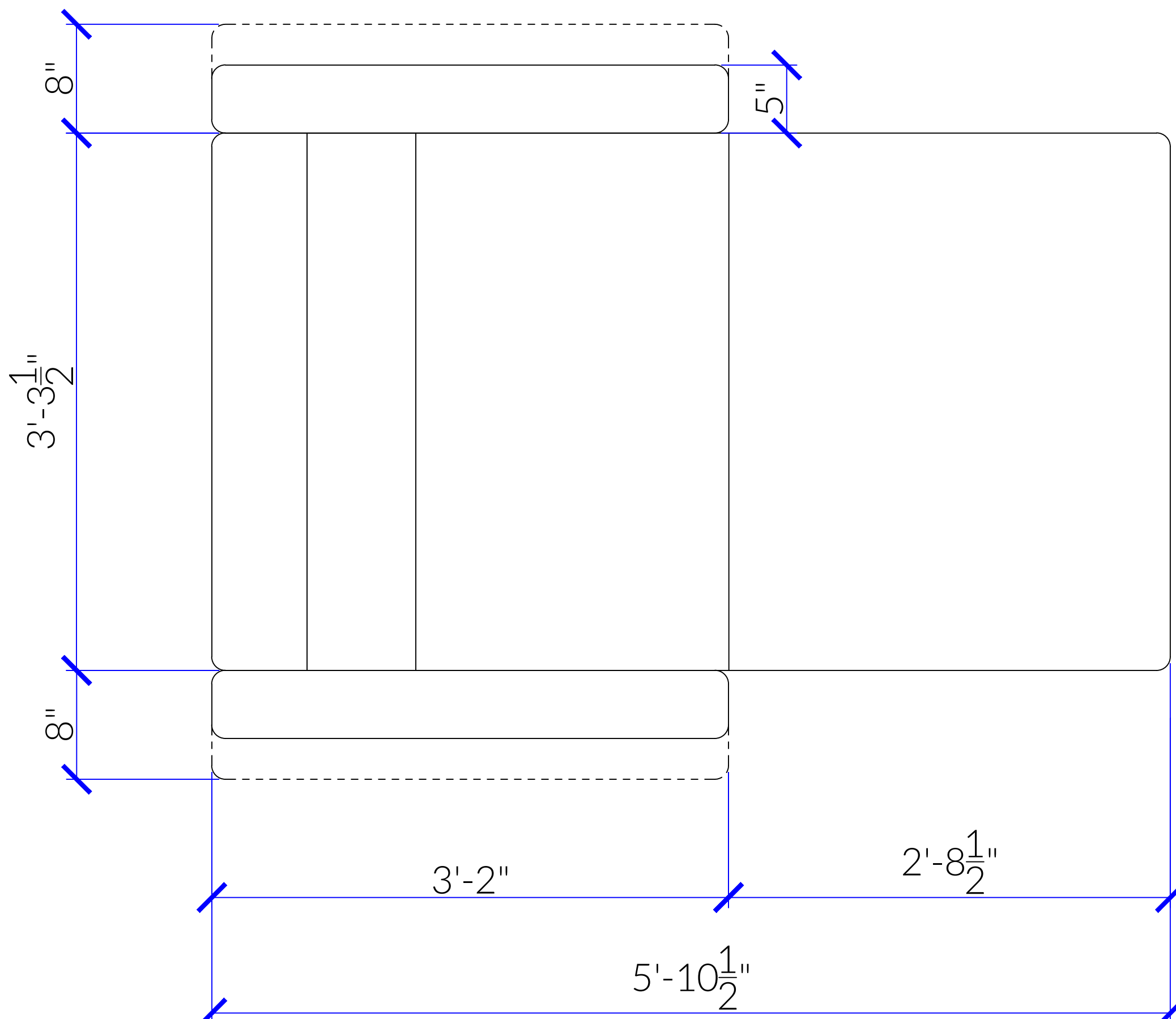
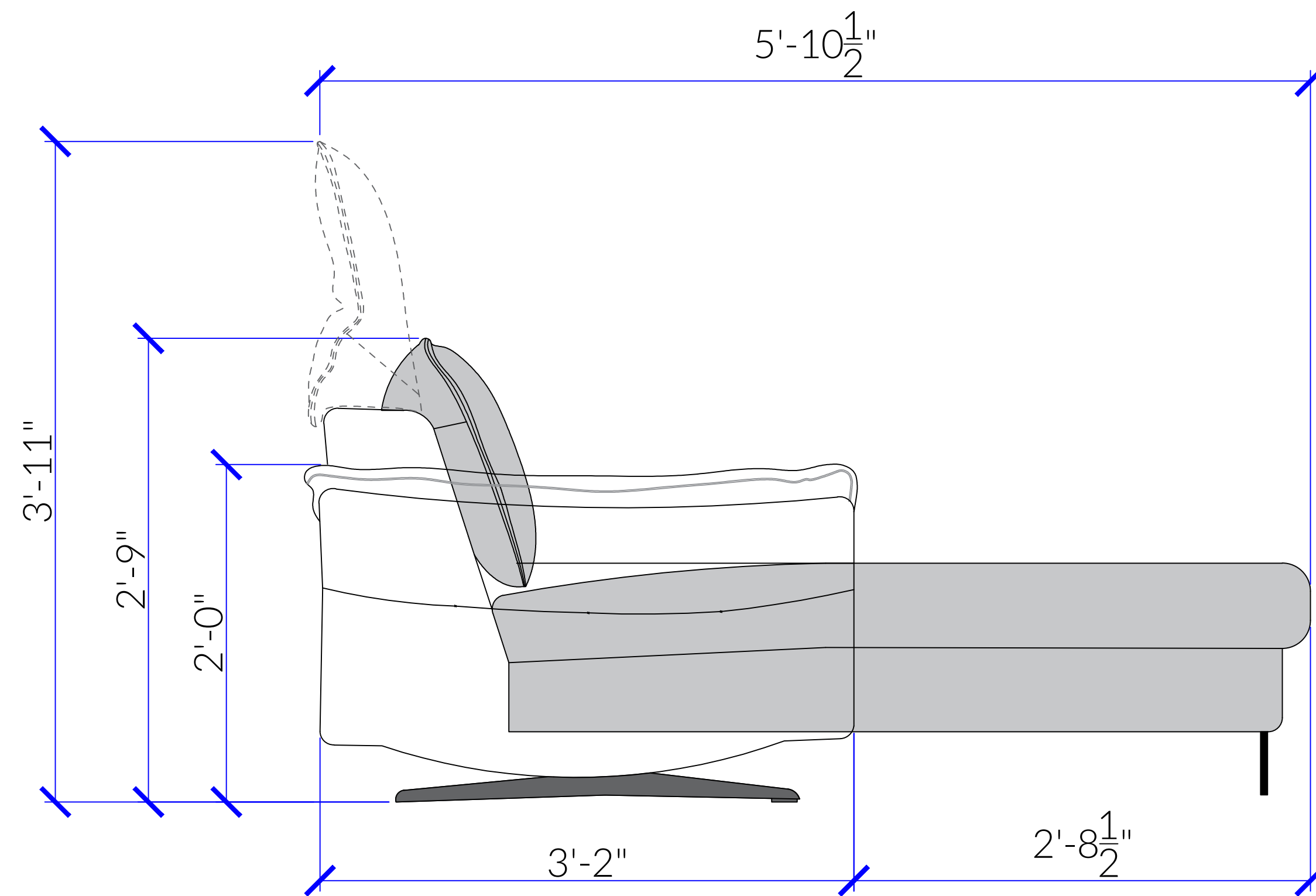
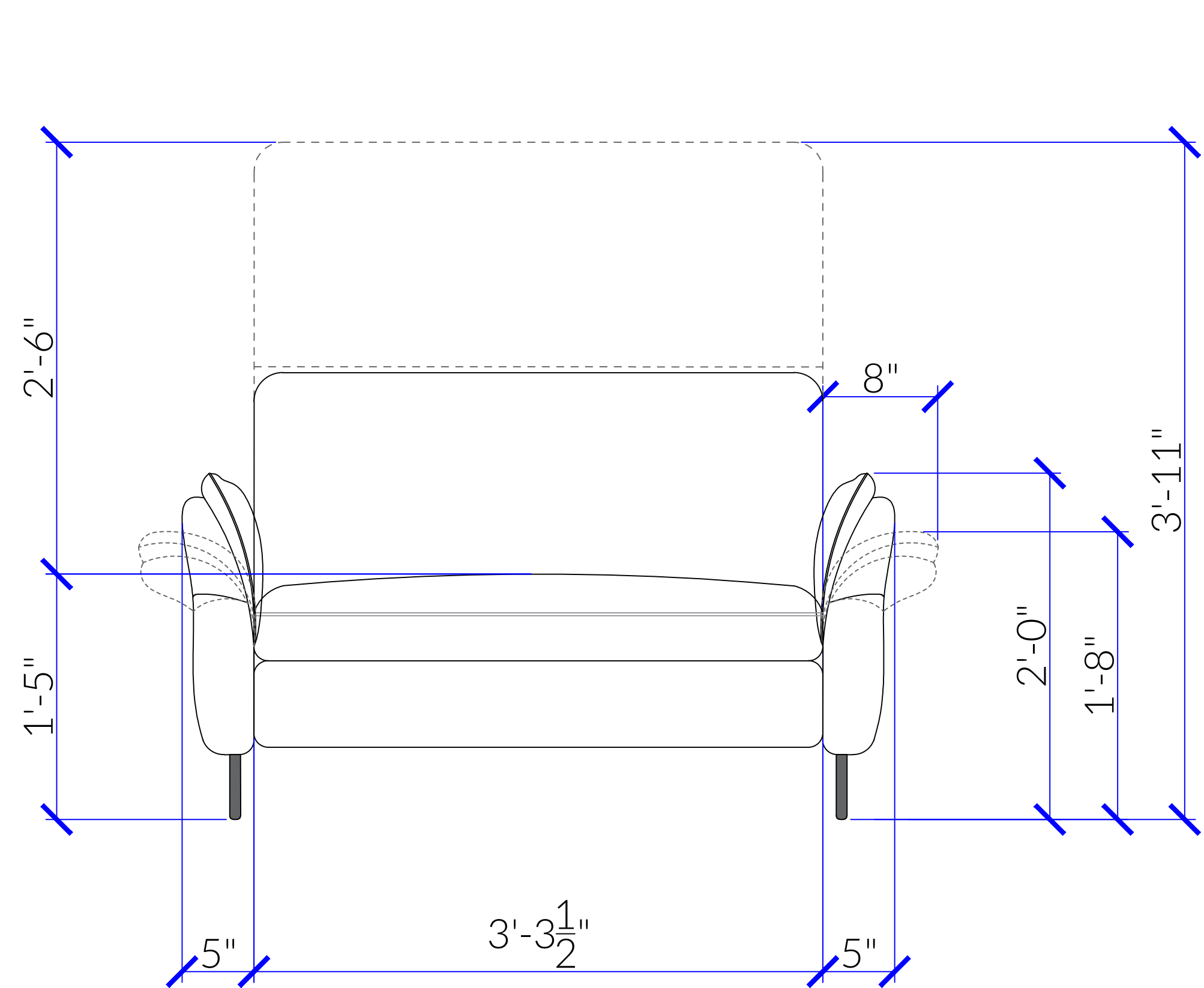
LEO SEAT
 1 1/2" = 1'-0"

GENERIC
 DETAILS

DRAWN BY: NS

DATE: 09/15/2023

SHEET



LEO SEAT
 1 1/2" = 1'-0"

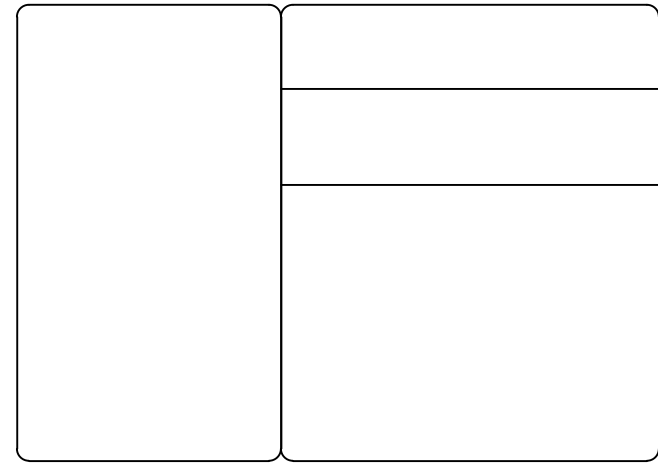
GENERIC
 DETAILS

DRAWN BY: NS

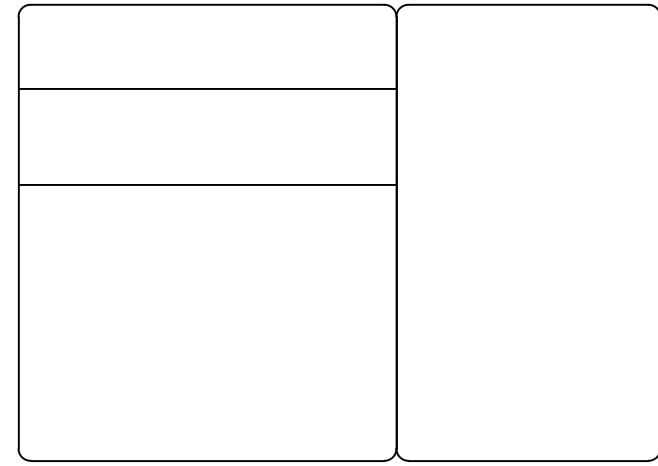
DATE: 09/15/2023

SHEET

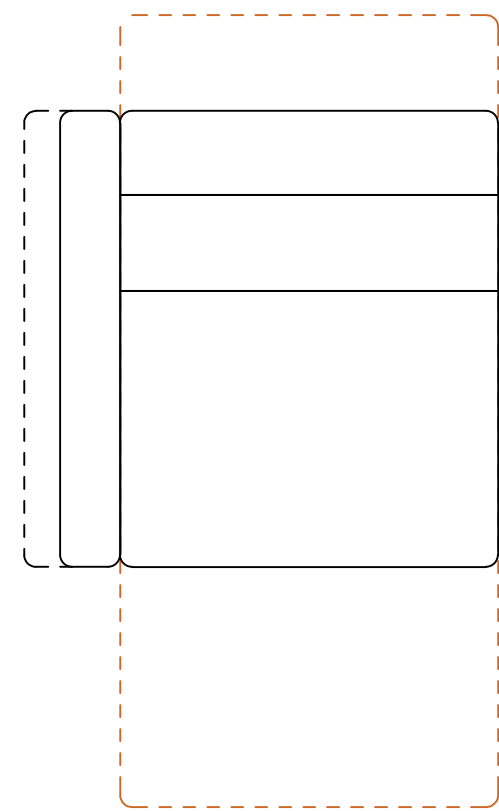
555 E
 31.5" SEAT PAN &
 22" STORAGE SEAT



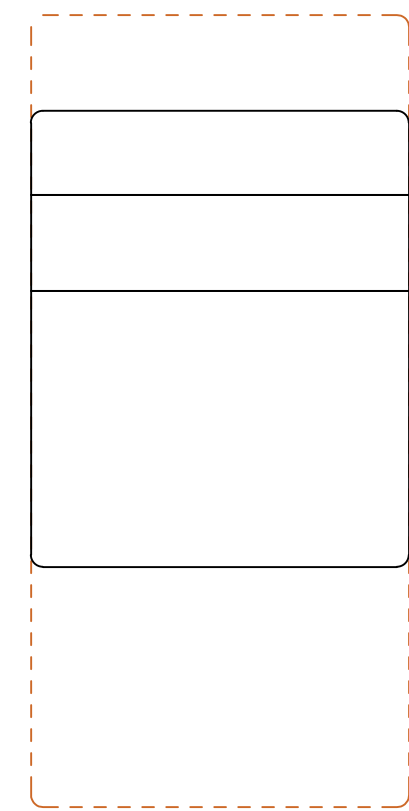
556 E
 31.5" SEAT PAN &
 22" STORAGE SEAT



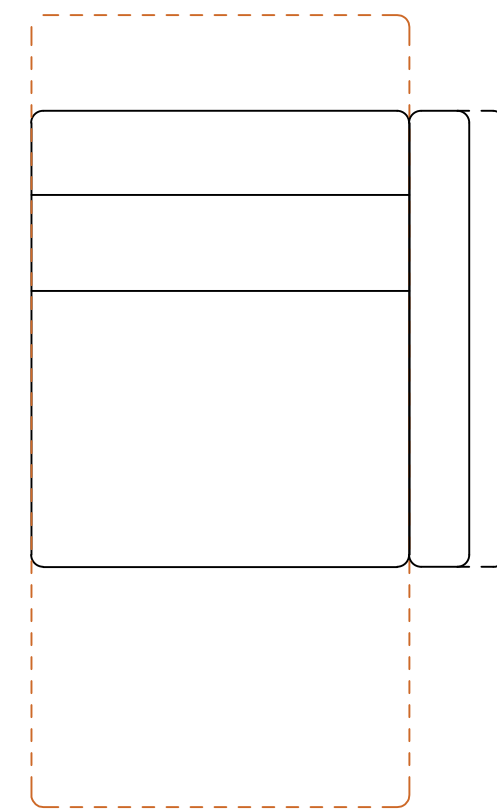
125 F
 31.5" SEAT PAN



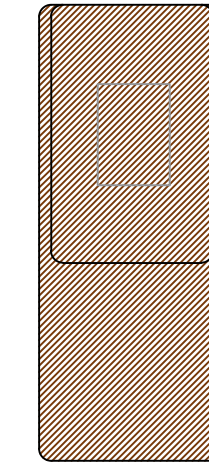
113 F
 31.5" SEAT PAN



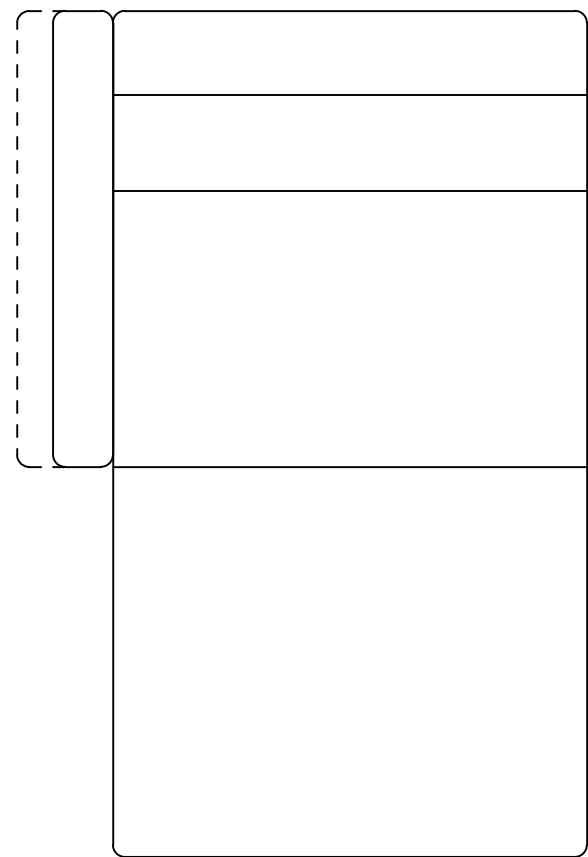
126 F
 31.5" SEAT PAN



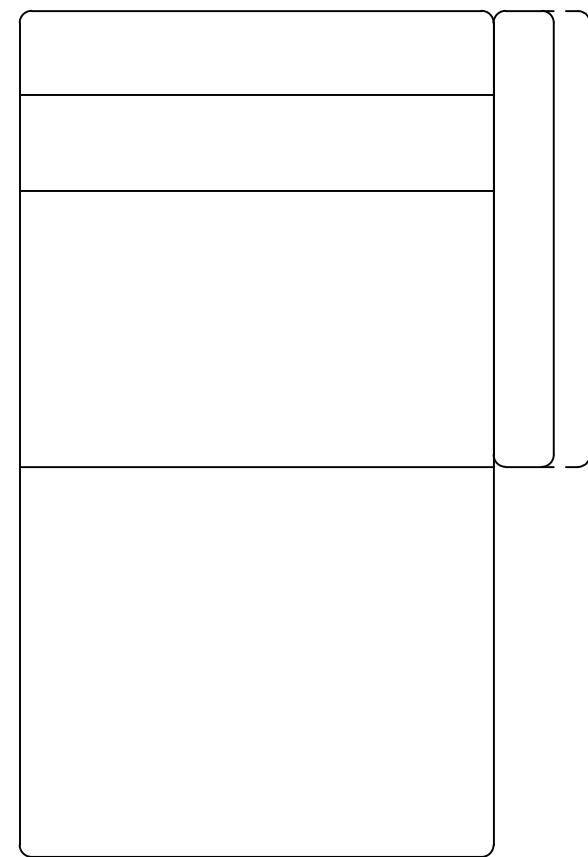
591 E
 15.5" WOODEN
 TRAY ELEMENT



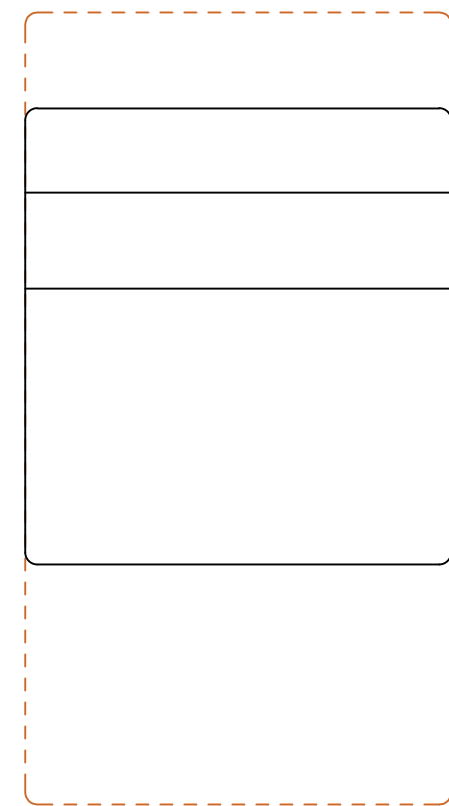
519 G
 39.5" CHAISE



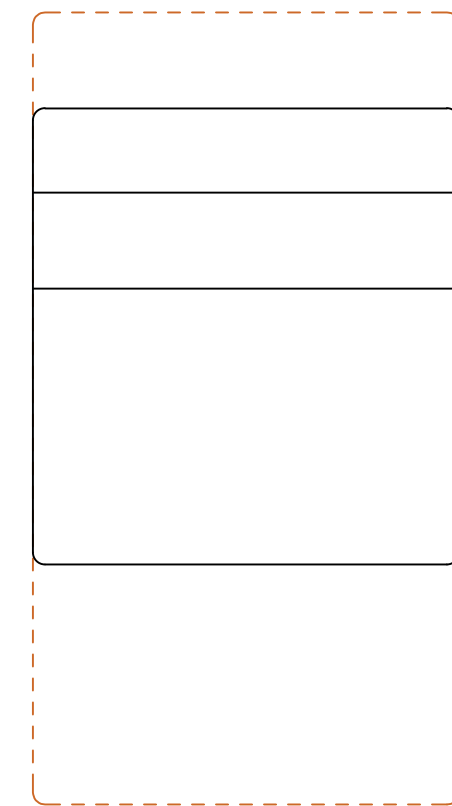
520 G
 39.5" CHAISE



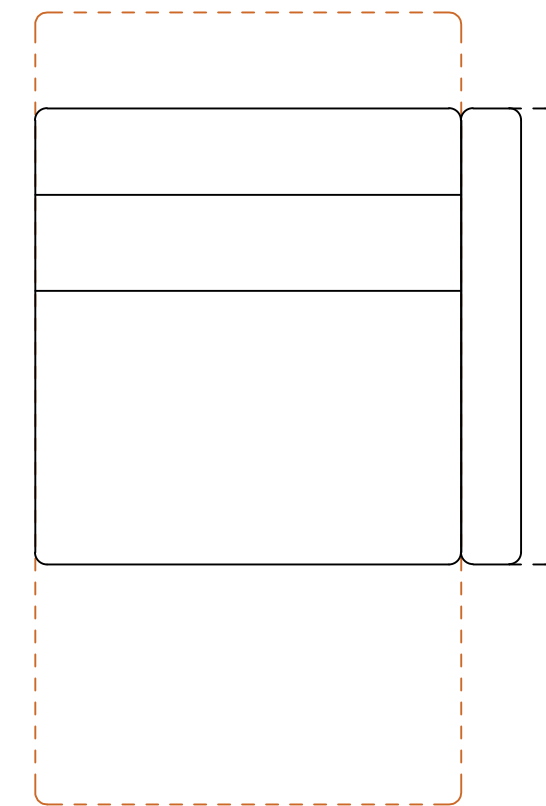
127 F
 35.5" SEAT PAN



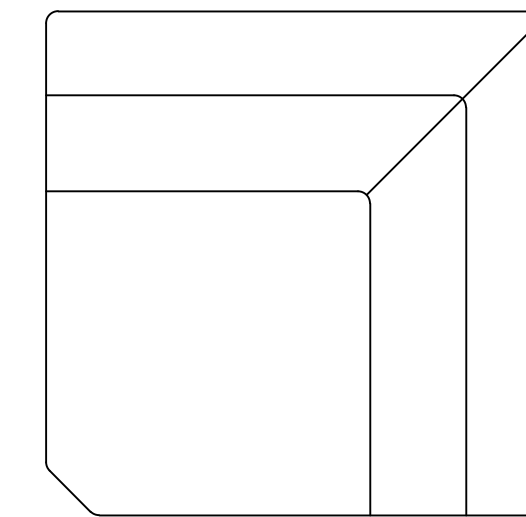
144 F
 35.5" SEAT PAN



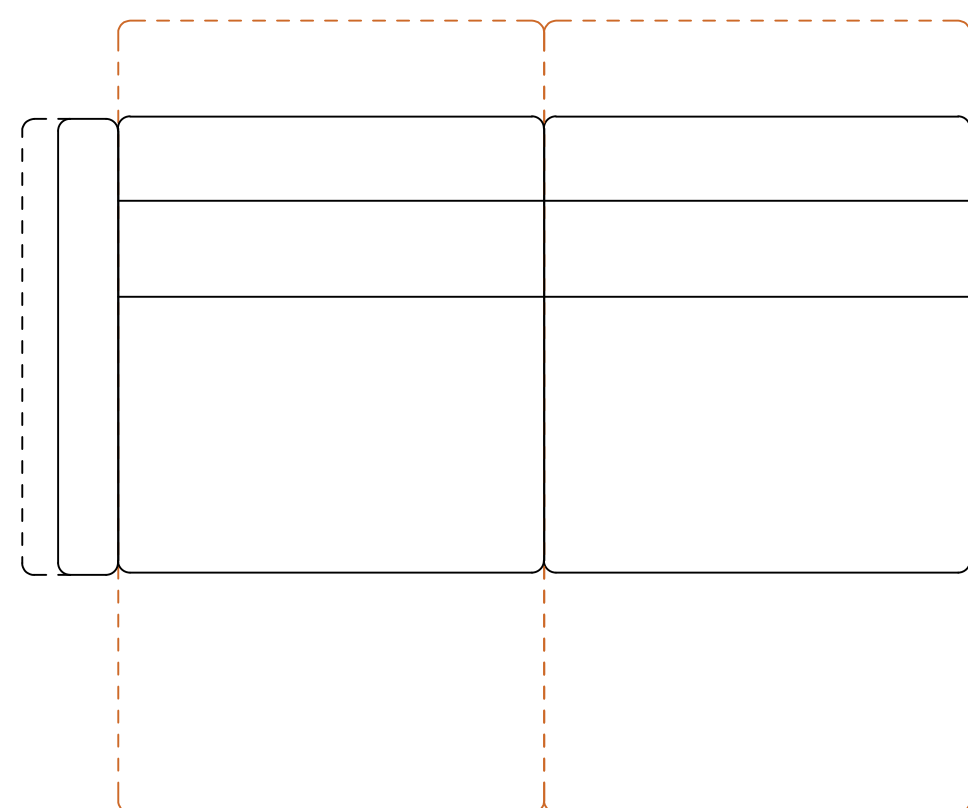
128 F
 35.5" SEAT PAN



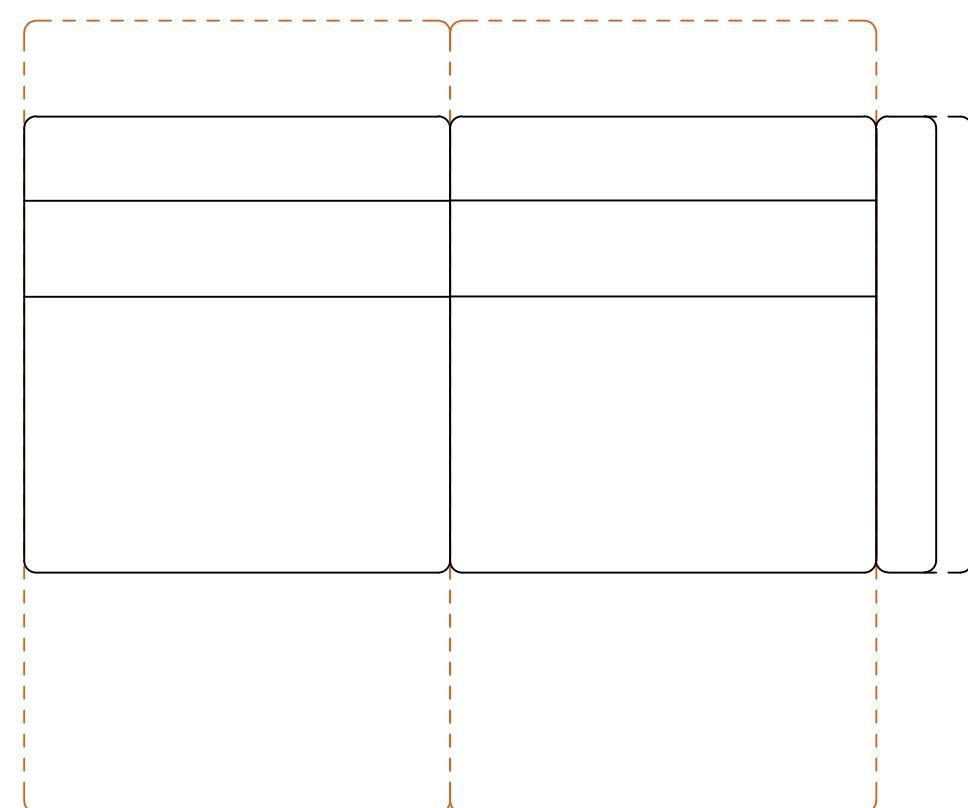
534 E
 42" CORNER SEAT



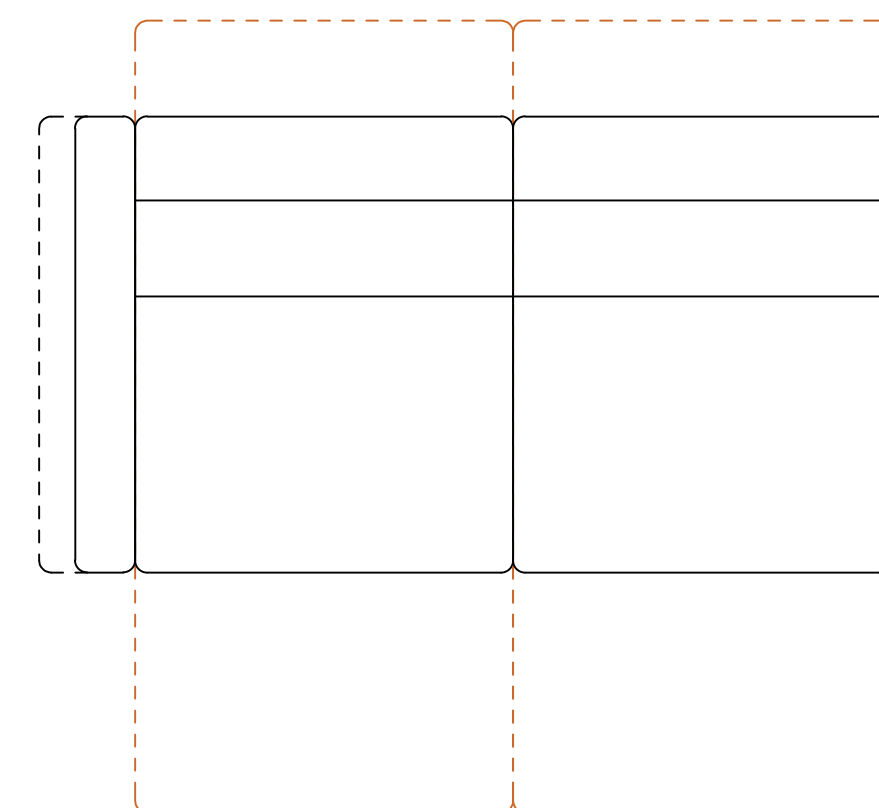
157 F
 35.5" SEAT PAN



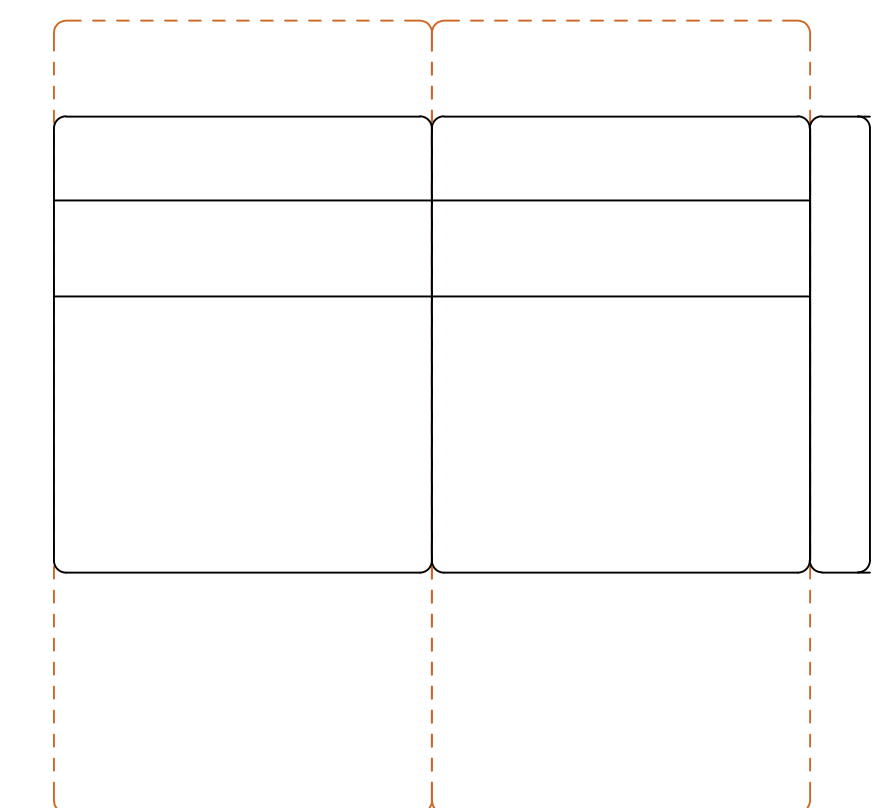
158 F
 35.5" SEAT PAN



155 F
 31.5" SEAT PAN



156 F
 31.5" SEAT PAN



LEO SEAT
 3/4" = 1'-0"

GENERIC
 DETAILS

DRAWN BY: NS

DATE: 09/15/2023

SHEET